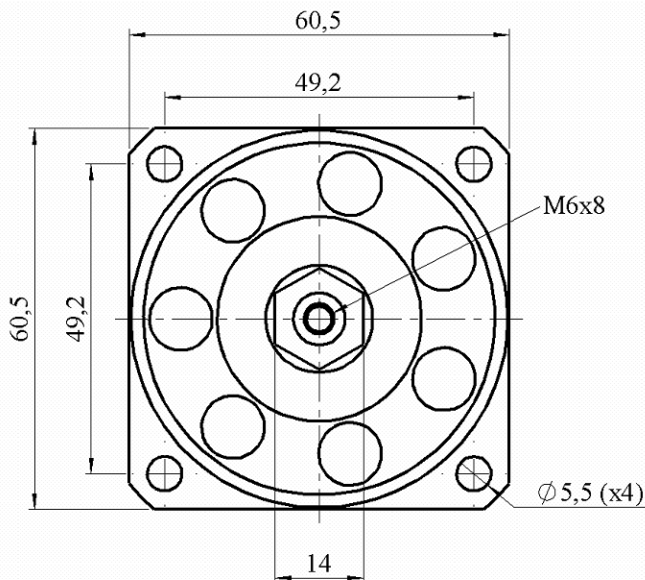
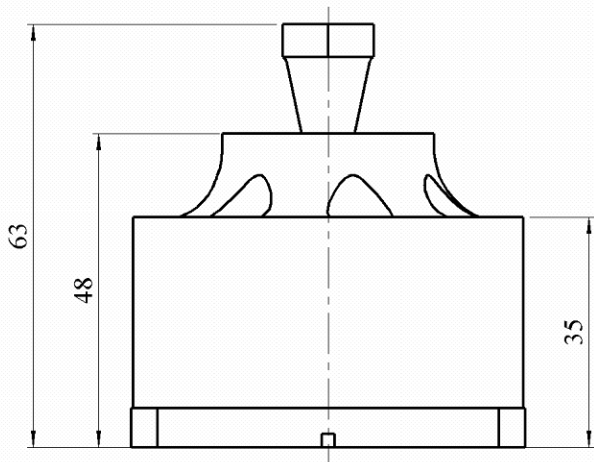
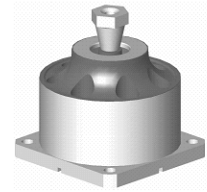


PCVG Series



Construction

Vibration and shock isolator with separate and decoupled shock attenuation element

The external ring, made in high strength elastomers, with nearly the same displacement ability in all axis, confers a very good attenuation in low frequency domain of shocks whereas the central element, consisting of two opposite membranes features the isolators with a efficient and high damping of vibrations in all axis

The Q factor is at maximum of 5

Approximate weight of damper : 240 grams

Applications

Insulation of cabinets or equipments subjected to highly stringent test or operating conditions.

Their performances makes them especially recommended for protection of sensitive equipment used by Army (tanks) and Navy (ships and submarines) as well as for shelters, containers or skids

Codification

The reference to be indicated for these dampers is :

PCVG-[x],

[x] corresponding to the index of load range

Particular achievements with specific load range can be proposed, for any request, consult our engineering departments

NATO Codification :

PCVG 1 : 5340.14.421.8791

PCVG 2 : 5340.14.389.2570

PCVG 3 : 5340.14.410.2690

PCVG 4 : 5340.14.410.2691

Characteristics

It is possible to apply the load in all directions but preferably in vertical compression axis

The vibrations levels can reach $\pm 1,5mm$ and this for resonance frequencies from 10Hz

The axial to radial frequency factor is about 0,95

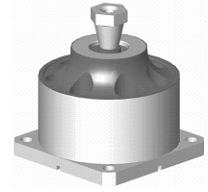
The maximum displacements are of $\pm 30mm$ in axial direction and $\pm 25mm$ in radial direction

The operative temperature range is from $-30^{\circ}C$ to $+80^{\circ}C$

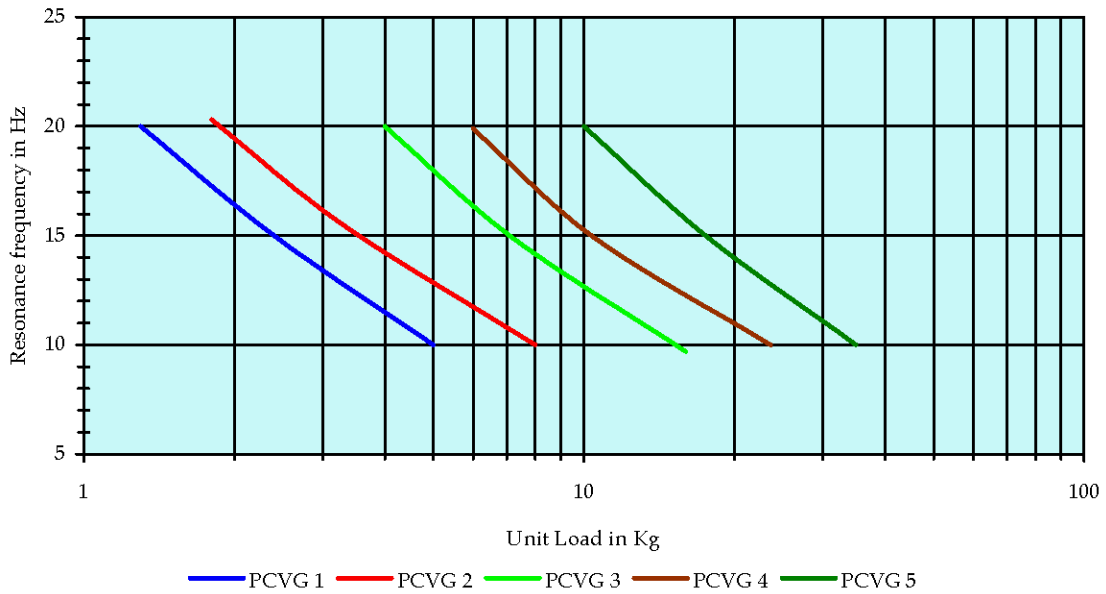
The maximum loads are :

PCVG 1	PCVG 2	PCVG 3	PCVG 4	PCVG 5
5 Kg	8 Kg	16 Kg	24 Kg	35 Kg

PCVG Series



Load range under +/-0,4mm



Typical dynamic rigidification behaviour

