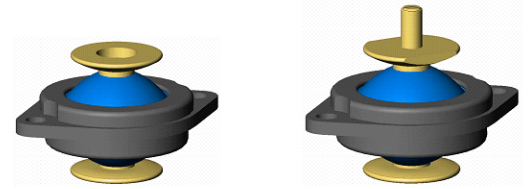


SES 2 Series



Construction

The SES 2 dampers are available in two different executions of central fastening, the one with a centre hole diameter 5,1mm, and the other with a central male thread M4

The elastic rubber components are mounted at opposite in order to allow an all attitude working possibility, with almost to the same behaviour in all positions

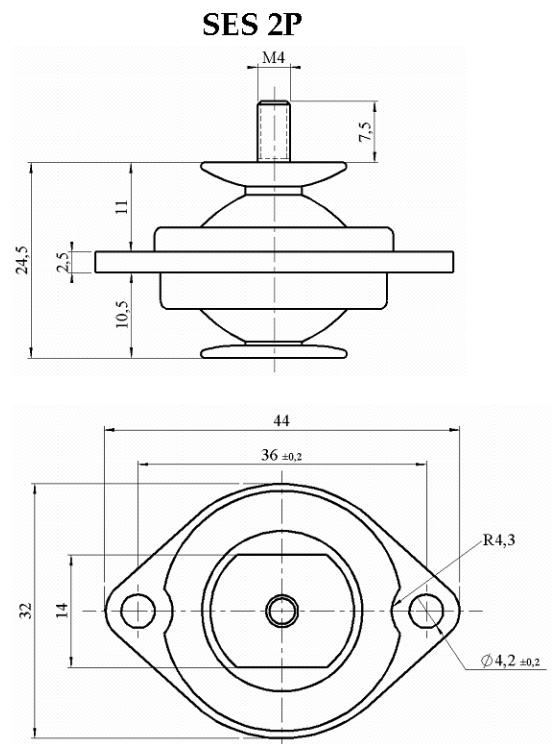
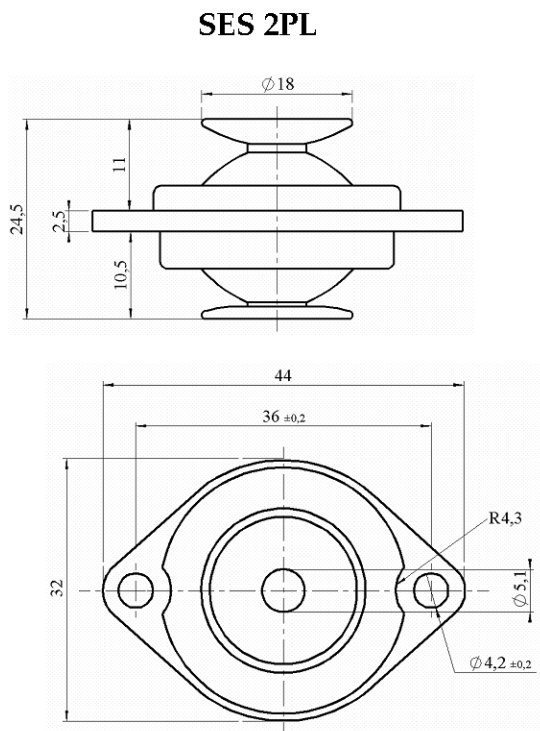
Their construction is fail-safe

Approximate weight of damper : 20 grams for execution 2PL and 22 grams for 2P execution

Applications

These dampers are perfectly suitable for insulation of sensitive small equipments on board or on fixed stations

In a reduced size they are able to make a very good attenuation of disturbance already in low frequencies range, under high dynamic input



Characteristics

The static load can be applied in all directions

The input level can reach $\pm 1,3mm$ for resonance frequencies from 10Hz and max load of 2Kg

The axial to radial stiffness factor is about 0,9

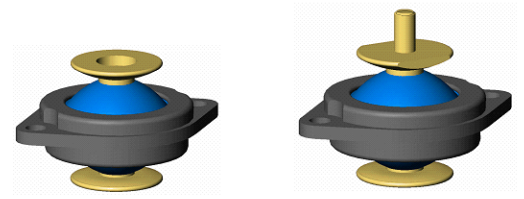
Their construction allows them to withstand to high and repetitive shock levels applications

The operative temperature range is from $-55^{\circ}C$ to $+150^{\circ}C$

The amplification factor at resonance is at max of 5 and in some given load and amplitude configurations it can reach values less than 3,5



SES 2 Series



Codification

The reference to be indicated is : SES-[2AA]-[xxx]

Execution [AA] ; = PL for plain hole Ø 5,1, = P for male thread M4

[xxx] are defined in table, the first number indicate the load range, the second the resonance frequency of isolator and the third the level under which this behaviour shall be obtained

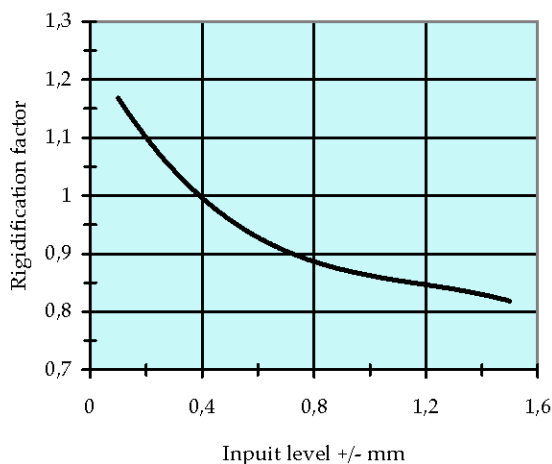
Index	Load range in Kg	Resonance frequency in Hz	Input level in mm
1	0,7 to 0,9	10 to 13	+/- 0,3
2	0,9 to 1,1	13 to 16	+/- 0,4
3	1,1 to 1,4	16 to 19	+/- 1,0
4	1,4 to 1,7	19 to 22	+/- 1,3
5	1,7 to 2,0	22 to 25	

Particular achievements with specific load range can be proposed, for any request, consult our engineering departments

Example : SES 2PL-342 = Fastening by centre hole, load range from 1,1 to 1,4 kg, resonance frequency from 19 to 22 Hz for a input level of +/- 0,4mm

Beware: The table shall facilitate the codification. As the possible combinations are limited by dimensions, not all references are available, please consult us before selection

Typical dynamic rigidification behaviour



NATO Codification :

SES 2PL 314 : 5340.14.413.7609

SES 2PL 514 : 5340.14.466.8604

SES 2PX 142 : 5340.14.415.8502

Installation principle

