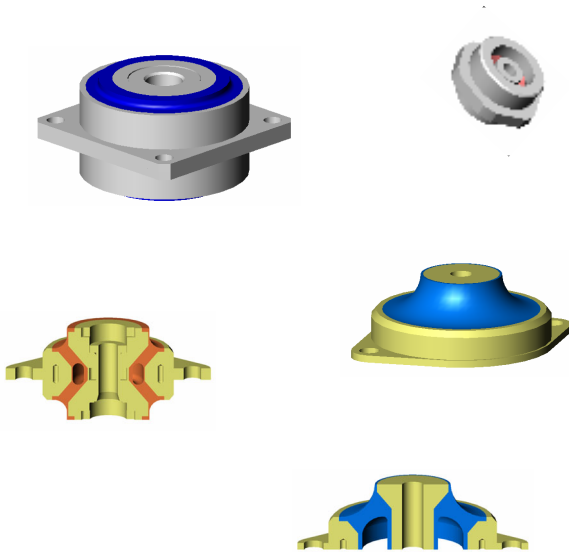


Conical Isolators

These isolators are developed in accordance with particular specification, in different application fields and the purpose is only to give you an overview of the wide range of possibilities of realizations we are able to propose thanks to our know-how, development tools and experience, without any detailed features



Conical and back to back conical isolators

This series are generally proposed in case of insulations of navigation and inertial guidance systems, radar components, optical sensors, when the main requirements are accuracy in back to back positioning after strong dynamic stress, angular stability, shelf live, accuracy by initial characteristics (value of scattering by manufacturing can be lower than 1%)

The back to back conical has the advantage to be fail-safe. An other benefit of this type of damper is that the characteristics Axial to Radial are adjustable by modifying, for same overall dimensions, the inner geometry of metal parts and not the moulding tool

The minimum resonance frequencies are in the most of cases about 50Hz