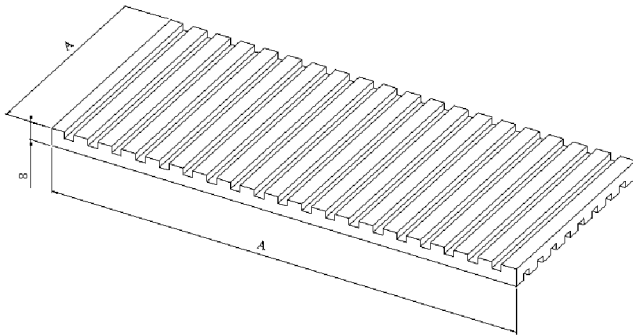
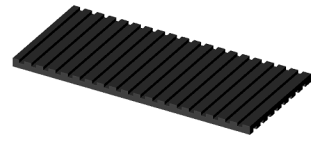


Anti-vibratory Plates PA Series



Description

The PA series plates are made in rubber with high mechanical properties and very good resistance to Oil, Ozone, Saline atmosphere, sunlight aging and heat aging and low creeping under static load

Applications

This plates are perfectly suitable to anchor on the floor et to make insulation of revolving machines on a very easy way but very efficient

Codification

The reference to be indicated for these plates is :
PA [A]

[A] : length of plates (see table)

Particular achievements with specific load range can be proposed, for any request, consult our engineering departments

Type	50	100	150	225	450
Length A(mm)	50	100	150	225	450
Surface area (cm ²)	25	100	225	506	2025

Characteristics

Deflection under load behaviour

