

# 184-GS Series

## Construction

The 184-GS series dampers are made of elastomers with high mechanical properties and elevated damping, allowing to reach a transmissibility at resonance lower than 4.5 according with loads and input levels

The mechanical parts are made of stainless steel  
Their fixing is realized, onto the support plate, by means of a metric threaded bolt M12\*0.5 and by means of a center hole for M4 screws

Approximate weight of damper: 16 grams

## Codification

The reference to be indicated for these dampers is as:

184-GS-xx;

[xx] corresponding to the resonance frequency under 150grams unit load and Random level of 0.06g<sup>2</sup>/Hz

Example: 184-GS-110, indicate that resonance frequency of mount is 110Hz under Random input 0.06g<sup>2</sup>/Hz and with a centered axial static load of 0.15Kg per damper

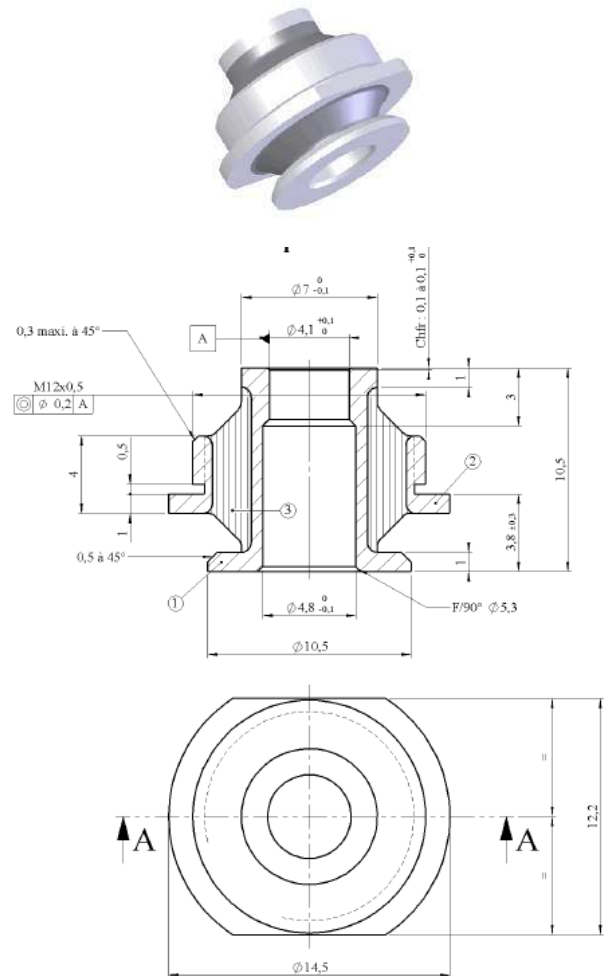
## Characteristics

The tolerance of axial resonance frequency is +/- 10% The axial to radial stiffness ratio is near of 4

The Q factor is less than 4.5 for frequencies less than 200Hz

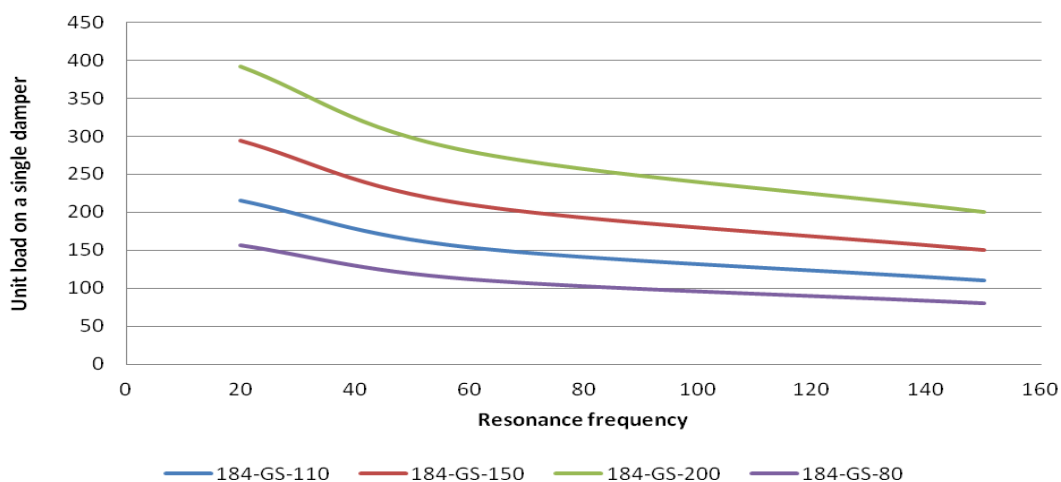
It is possible to apply the load in axial compression and shear directions The maximum admissible elongation in about 5mm

The operative temperature range is from -55°C to +150°C

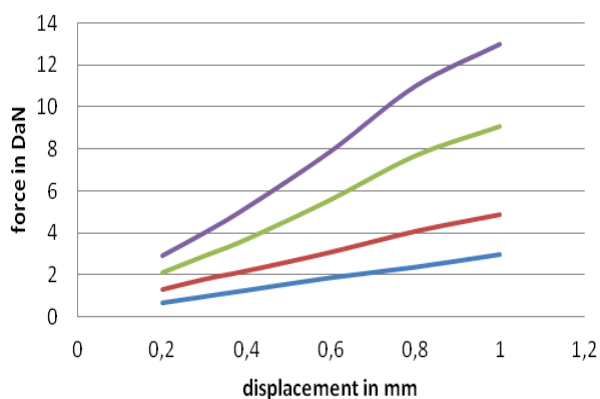


# 184-GS Series

**Dynamic Behavior in Axial direction  
under 0,06g<sup>2</sup>/Hz**



**Static behavior in Axial  
direction**



**Static behavior in Radial  
direction**

