

349-G4 Series

Construction

The 349-G4 series dampers are made of high mechanical properties elastomers featuring also a low amplification at resonance ($Q < 5$)
 The loads have to be mounted in compression axis
 The metallic parts are made in stainless steel
 Approximate weight of damper : 60 grams

Applications

These dampers are perfectly suitable for insulation of electronic devices, computers, on board or mounted on fixed stations, with good vibration attenuation from 10 Hz
 Their low frequency behaviour allows to specify them for helicopter applications

Codification

The reference to be indicated for these dampers is at follows :349-G4-[xx] ;
 [xx] corresponding to the index of load range

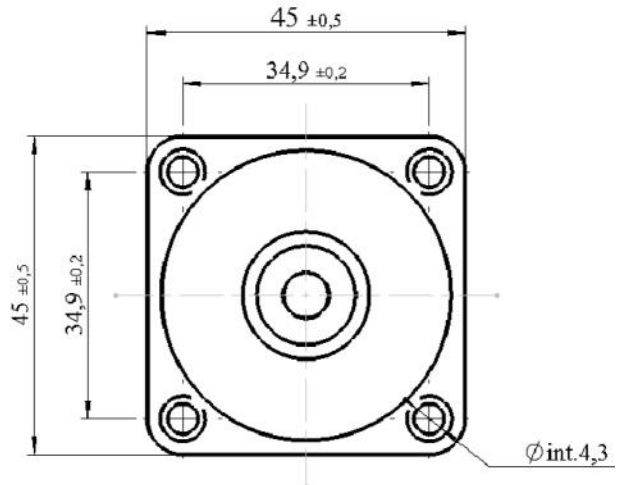
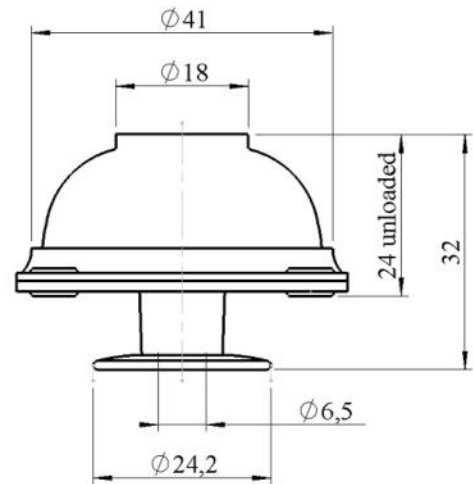
Particular achievements with specific load range can be proposed, for any request, consult our engineering departments

Characteristics

The load must be applied in compression direction only
 The vibrations levels can reach $\pm 1,5\text{mm}$ and resonance frequencies from 7 Hz
 The axial to radial frequency factor is about 1,4
 The operative temperature range is from -55°C to $+150^\circ\text{C}$

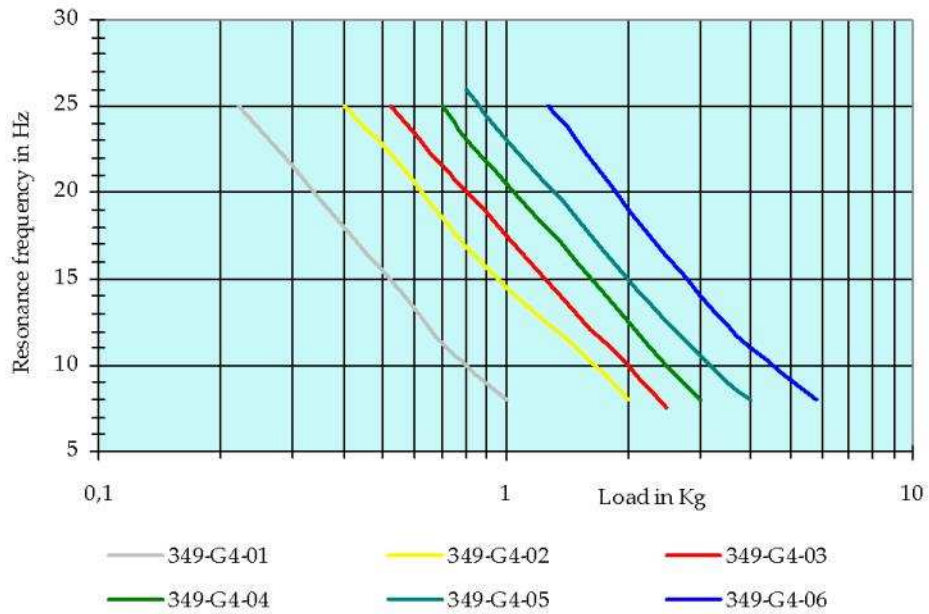
The maximum loads are :

349-G4-01	349-G4-02	349-G4-03	349-G4-04	349-G4-05	349-G4-06
1,0 Kg	2,0 Kg	2,5 Kg	3,5 Kg	4,5 Kg	6,0 Kg



349-G4 Series

Load range under +/- 1,5mm



Dynamic rigidification behaviour

