

# 541 Series

## Construction

The 541 series dampers are made of elastomers with high mechanical fatigue properties and elevated damping, allowing to reach a transmissibility at resonance lower than 4 according with loads and input levels ( $Q_{max} < 6$ )

The metal parts are made of aluminium alloy with chromating processing

Approximate weight of damper : 45 grams

## Applications

These isolators are perfectly suitable for insulation of sensitive equipment boarded or at fixed stations, like full bays, compressors, power of hydraulic units rotary machines, portable cabinets and measuring equipment, with a good isolation of frequencies from 15 Hz under high dynamic input. In a small size, their deflexion ability enabling them to damped shock or jerk applied on structure.

## Codification

The reference to be indicated for these dampers is as :

541-[AA]-[xx];

[AA]; = GS for silicone rubber isolators

= GN for neoprene rubber isolators

[xx] corresponding to the index of load range

**Particular achievements with specific load range can be proposed, for any request, consult our engineering departments**

## Characteristics

It is possible to apply the load in all directions but preferably in compression axis

The vibrations levels can reach  $\pm 1,25$ mm and this for resonance frequencies from 10Hz

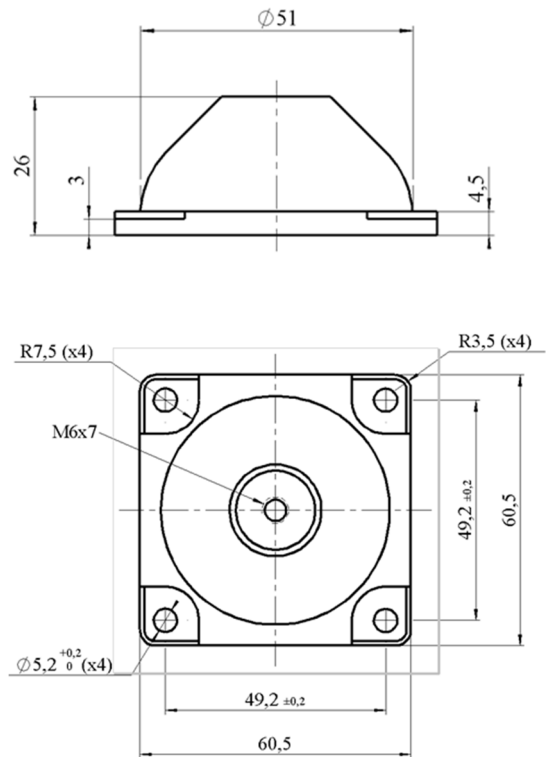
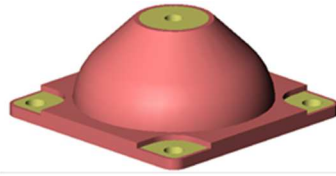
The axial to radial frequency factor is about 1,3

The maximum displacements are of  $\pm 15$ mm in all directions

The operative temperature range is from  $-55^{\circ}\text{C}$  to  $+150^{\circ}\text{C}$  in execution GS

and from  $-30^{\circ}\text{C}$  to  $+80^{\circ}\text{C}$  in execution GN

The maximum loads are:

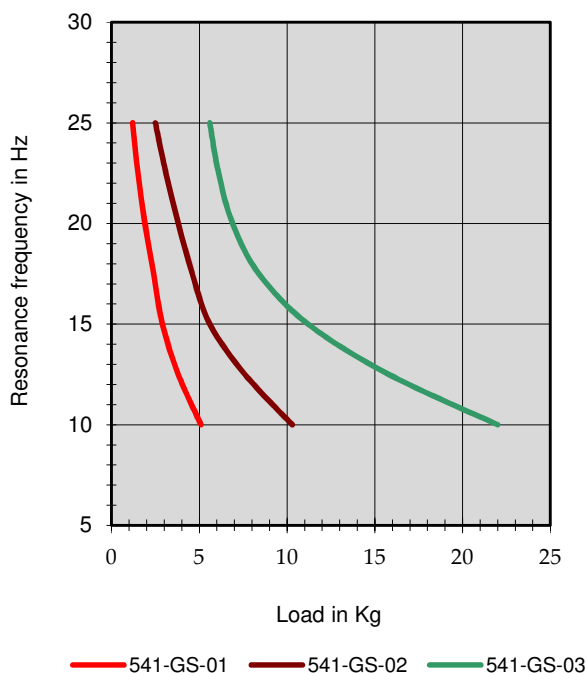


541-GN-01	541-GN-02	541-GN-03	541-GN-04	541-GN-05
4,3 Kg	7,5 Kg	12,0 Kg	22,5 Kg	44,0 Kg
541-GS-01	541-GS-02	541-GS-03		
5,1 Kg	10,8 Kg	22,0 Kg		

# 541 Series

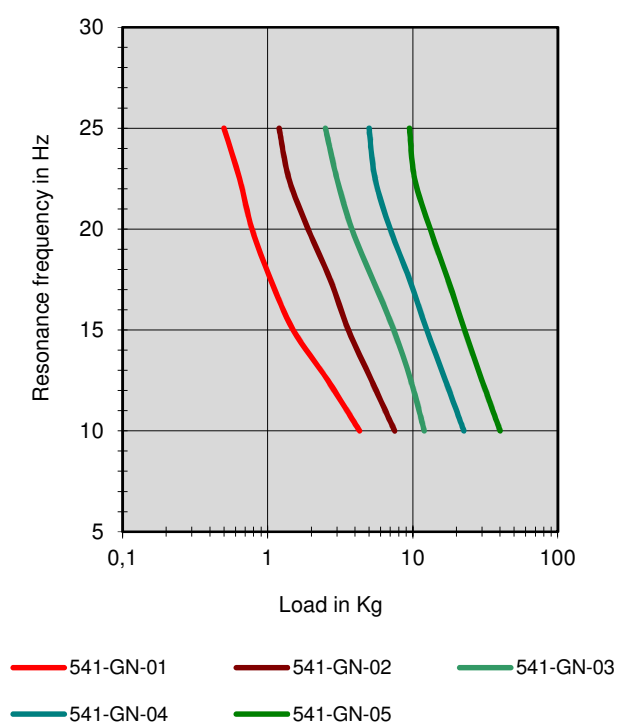
## Silicone Isolators (GS)

Load range under +/-0,4mm

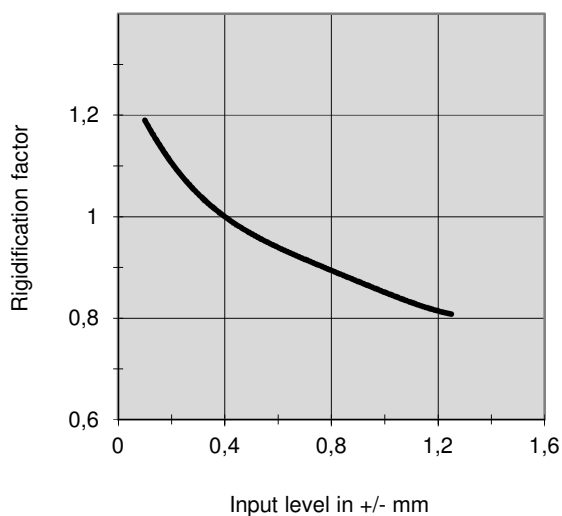


## Neoprene Isolators (GN)

Load range under +/-0,4mm



## Typical dynamic rigidification behaviour



## Typical dynamic rigidification behaviour

