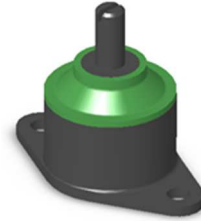


544-GS Series

Construction

The 544-GS series dampers are made of elastomers with high mechanical fatigue properties and elevated damping, allowing to reach a transmissibility at resonance lower than 4 according with loads and input levels ($Q_{max} < 7$)
Approximate weight of damper: 12 grams



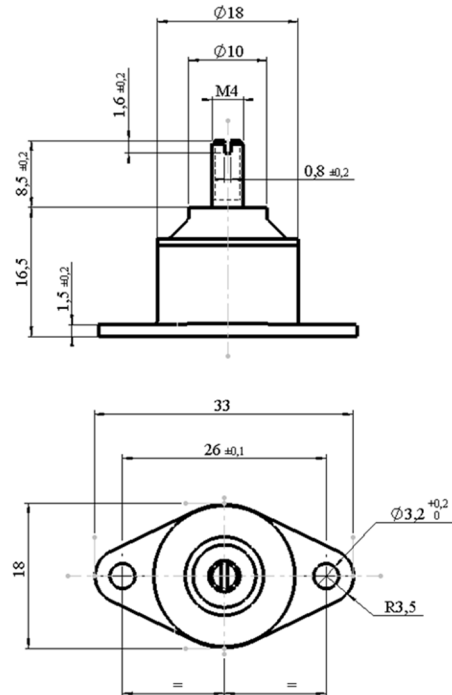
Applications

These isolators are suitable in a very large application field, for insulation of sensitive equipment like navigation and guidance units, hard disks, video recorders, or other small electronic devices and computers on board or on fixed stations

Codification

The P/N is given by:
544-GS-XX
XX means the Axial resonance frequency under $\pm 0.45\text{mm}$ with damper loaded at 11kg unit

Particular achievements with specific load range can be proposed, for any request, consult our engineering departments



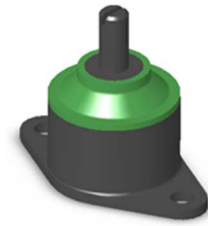
Characteristics

It is possible to apply the load in all directions but preferably in compression axis
The vibrations levels can reach $\pm 0,4\text{mm}$ and this for resonance frequencies from 20Hz
The axial to radial frequency factor is about 0,7
The operative temperature range is from -55°C to $+150^{\circ}\text{C}$

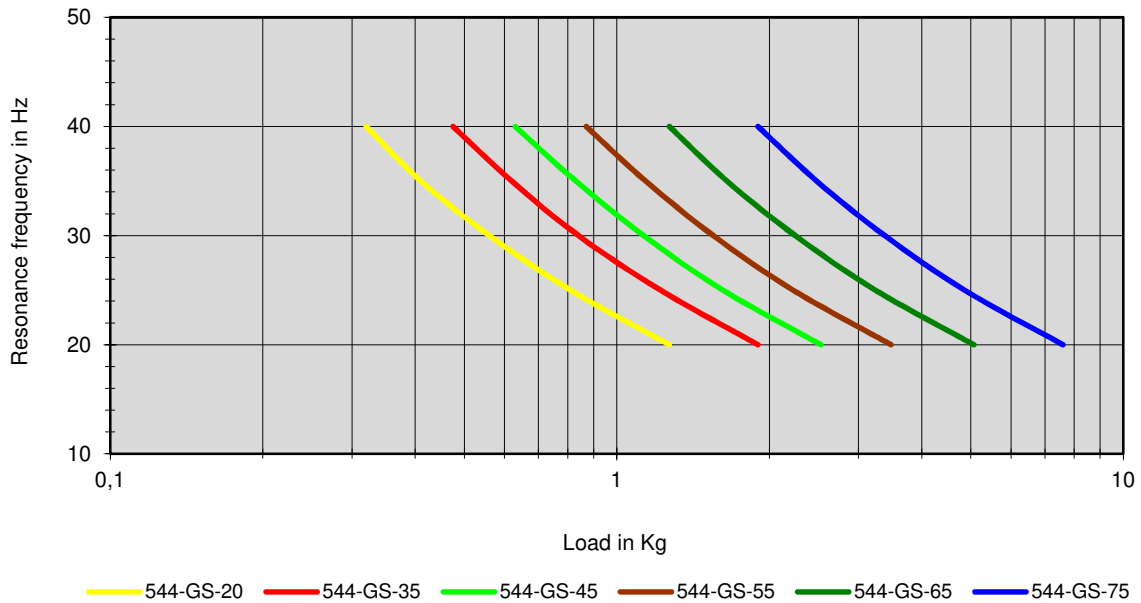
The maximum loads are:

544-GS-20	544-GS-35	544-GS-45	544-GS-55	544-GS-65	544-GS-75
1,3 Kg	1,9 Kg	2,5 Kg	3,5 Kg	5,1 Kg	7,6 Kg

544-GS Series



Load range under $\pm 0,4\text{mm}$



Typical dynamic rigidification behaviour

