

581 Series

Construction

The 581 series dampers are made of elastomers with high mechanical fatigue properties and elevated damping, allowing to reach a transmissibility at resonance lower than 4 according with loads and input levels ($Q_{max} < 8$)

The metal parts are made of aluminium alloy with chromate processing

Approximate weight of damper: 170 grams

Applications

These isolators are perfectly suitable for insulation of sensitive equipment boarded or at fixed stations, like full bays, compressors, power of hydraulic unit rotary machines, portable cabinets and measuring equipment, with a good isolation of frequencies from 15 Hz under high dynamic input. Their deflexion ability enabling them to damped shock or jerk applied on structure

Codification

The reference to be indicated for these dampers is as: 581-

[AA]-[xx];

[AA]; = GS for silicone rubber isolators

= GN for neoprene rubber isolators

[xx] corresponding to the index of load range

Particular achievements with specific load range can be proposed, for any request, consult our engineering departments

Characteristics

It is possible to apply the load in all directions but preferably in compression axis

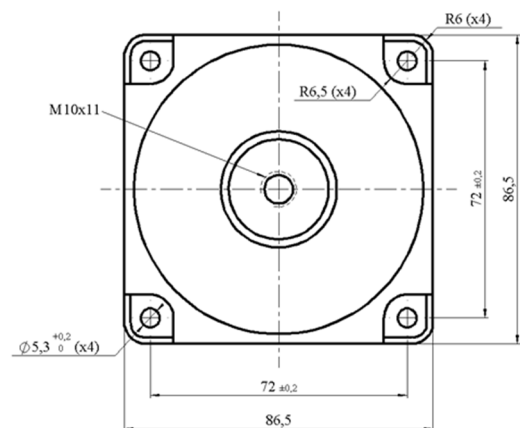
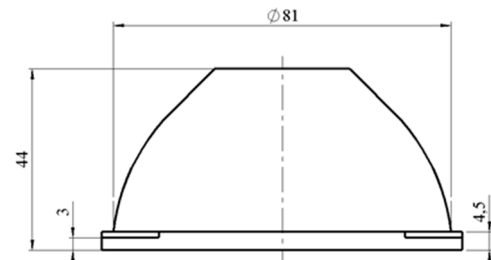
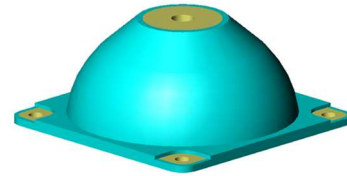
The vibrations levels can reach $\pm 1,25\text{mm}$ and this for resonance frequencies from 10Hz

The axial to radial frequency factor is about 1,6

The maximum displacements are of $\pm 25\text{mm}$ in all directions

The operative temperature range is from -55°C to $+150^{\circ}\text{C}$ in execution GS

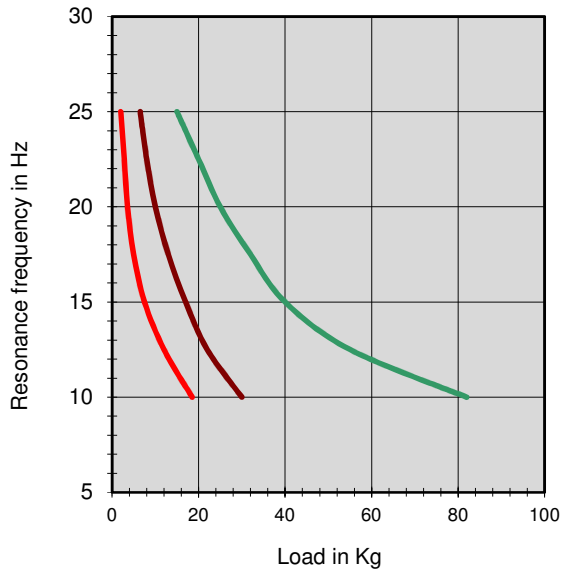
and from -30°C to $+80^{\circ}\text{C}$ in execution GN



581-GN-01	581-GN-02	581-GN-03	581-GN-04
20,0 Kg	44,0 Kg	85,0 Kg	140,0 Kg
581-GS-01	581-GS-02	581-GS-03	
18,5 Kg	30,0 Kg	82,0 Kg	

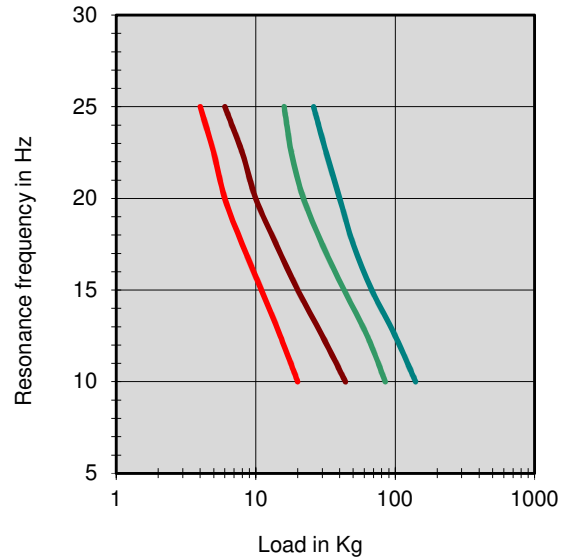
581 Series

Load range under $\pm 0,4\text{mm}$



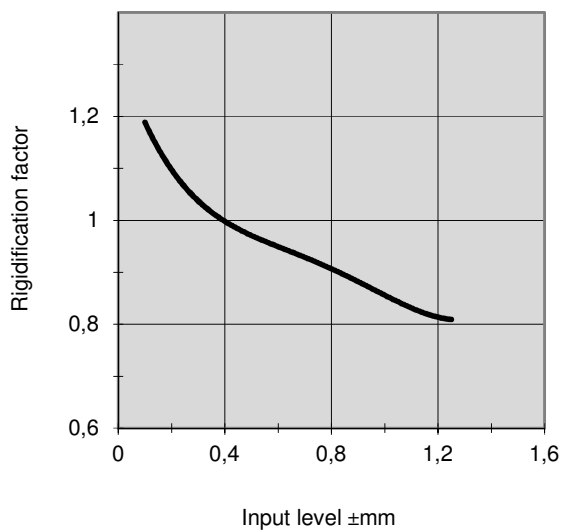
— 581-GS-01 — 581-GS-02 — 581-GS-03

Load range under $\pm 0,4\text{mm}$



— 581-GN-01 — 581-GN-02 — 581-GN-03 — 581-GN-04

Typical dynamic rigidification behaviour



Typical dynamic rigidification behaviour

