

GFM-1014 Series

Construction

The GFM-1014 series dampers are made of high mechanical properties rubbers with good damping in order to reach Q factor at resonance lower than 5
Approximate weight of damper : 0,1 grams

Applications

These dampers are typically used for very small masses insulation like crystal oscillators for example
In a small size they allow to obtain low to medium resonance frequencies by mounting the dampers like example below

Characteristics

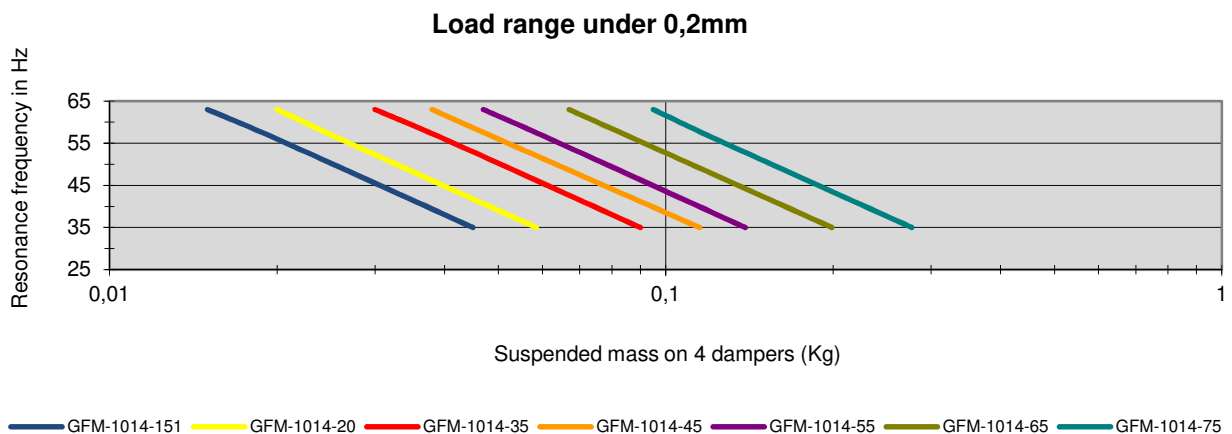
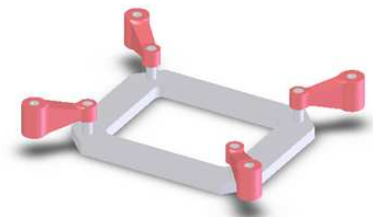
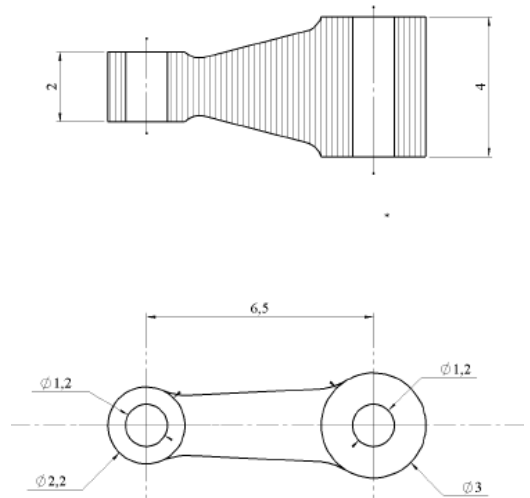
The normal Axial to Radial behaviour in frequency is about 0.6 (Axial stiffness lower then Radial stiffness)

The typical mounting as showed in figure, reduce this behaviour if necessary and will avoid either too high radial frequencies or on the other hand too wide displacements in axial direction

The load should be applied in OZ axis (vertical as showed on mounting drawing)

The load range for suspended equipment on 4 dampers is from 15grams to 300grams

The operative temperature range is from -55°C to +150°C



Codification

The reference to be indicated for these dampers is at follows:
GFM-1014-[xx],
[xx] corresponding to the index of load range