

# GFM-1005 Series

## Construction

The GFM-1005 series dampers are made of high mechanical properties rubbers with high damping in order to reach Q factor at resonance lower than 3, following loads and amplitudes of excitation ( $Q_{max}=6$ )  
Approximate weight of damper: 1 gram

## Applications

These dampers are typically used in data processing equipment appliances, disk drives, medical electronics desk-top equipment, video recorders and all small and sensitive equipment mounted on carriers or on fixed stations  
In a small size they allow to obtain low frequencies behaviour under high stress

## Codification

The reference to be indicated for these dampers is at follows:  
GFM-1005-[xx]S, for dampers in silicone, and GFM-1005-[xx]B, for dampers made in Butyl  
[xx] corresponding to the index of load range

***Particular achievements with specific load range can be proposed, for any request, consult our engineering departments***

## Characteristics

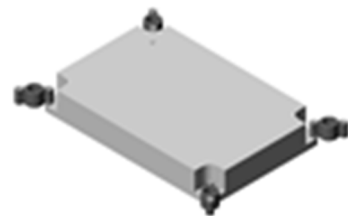
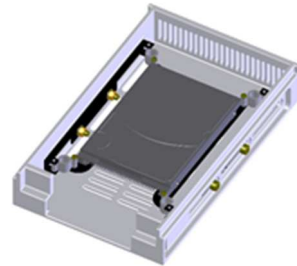
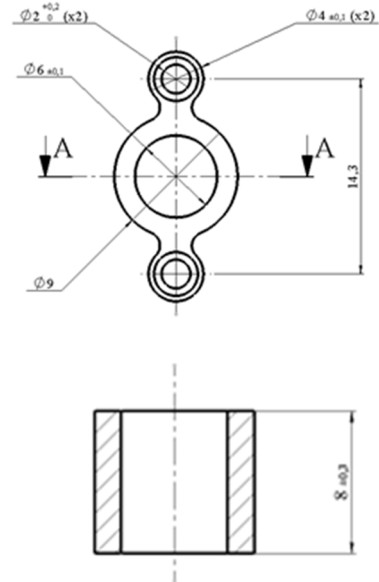
In case of a typical mounting as showed in figure, their design gives an axial to radial behaviour with a frequency factor of 1,2.  
Their ability to accept high elongations allows a efficient damping of shocks

The load should be applied preferably in OZ axis (vertical as showed on mounting drawing) but all other configuration are acceptable with some particular restrictions of features

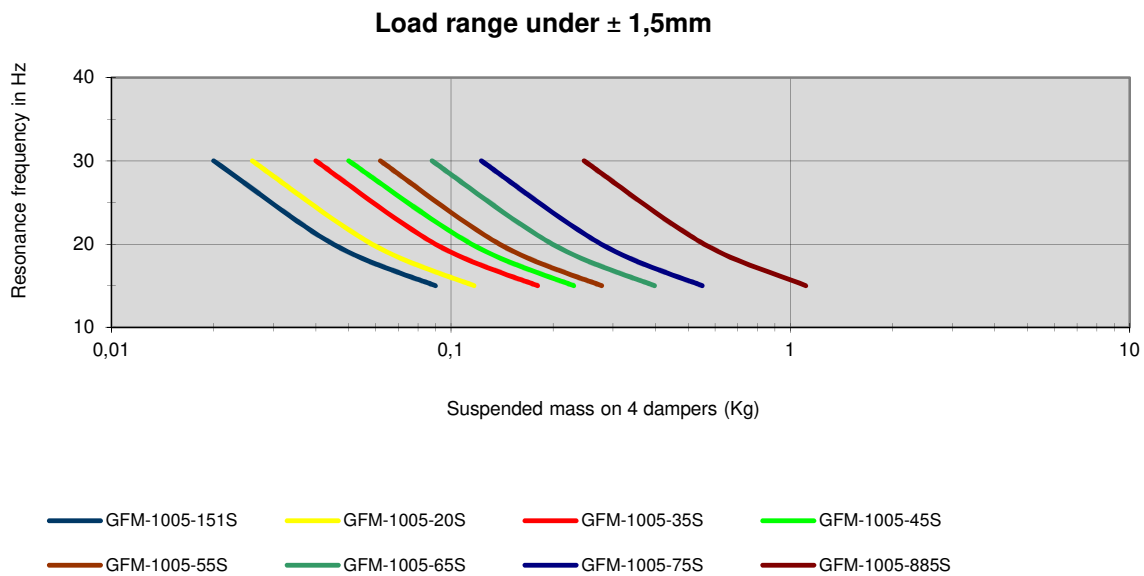
The load range for suspended equipment on 4 dampers is from 0,030kg to 0,800kg

The vibration stress can reach  $\pm 1,5\text{mm}$  and frequencies from 15Hz (10 Hz is possible in some specific configurations)

The operative temperature range is from  $-55^{\circ}\text{C}$  to  $+150^{\circ}\text{C}$  for silicone made isolators, and from  $-20^{\circ}\text{C}$  to  $+80^{\circ}\text{C}$  for butyl made isolators



# GFM-1005 Series



## Typical dynamic rigidification behaviour for silicone made isolators

