

GFM-1006 Series

Construction

The GFM-1006 series dampers are made of silicon rubber with high mechanical properties and are suitable for insulation of small equipment like hard disks or PCB's for example. The mechanical parts are made of stainless steel. Their fixing is realized, onto the suspended equipment, by means of a metric threaded bolt M4 and by means of a hole for M3 screws with a positioning by means of two holes 1.7mm. Approximate weight of damper: 8 grams.

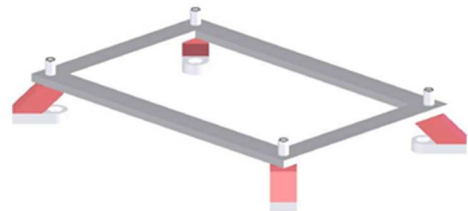
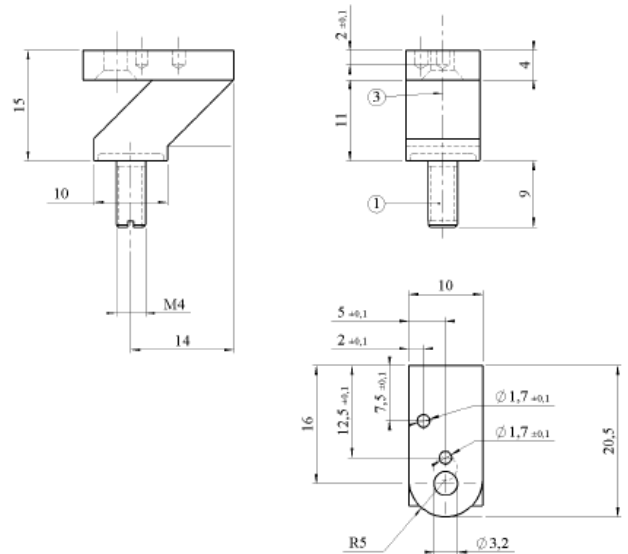
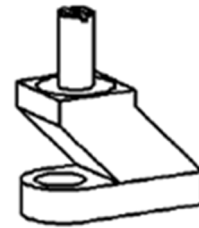
Codification

The reference to be indicated for these dampers is as follows:
GFM-1006-xx;
[xx] corresponding to the rubber index

An installation like illustrated below will provide a isotropic behaviour in radial directions

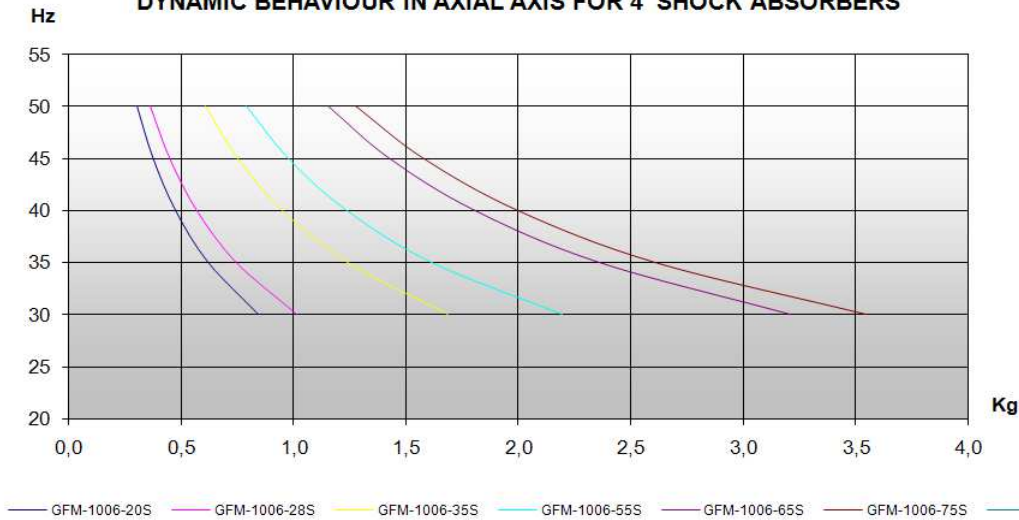
Characteristics

The range of working frequency are about 40Hz in axial compression. The axial to radial frequency ratio is near of 2. It is possible to apply the load in axial compression and shear directions but preferable in axial compression direction. The operative temperature range is from -55°C to +150°C.

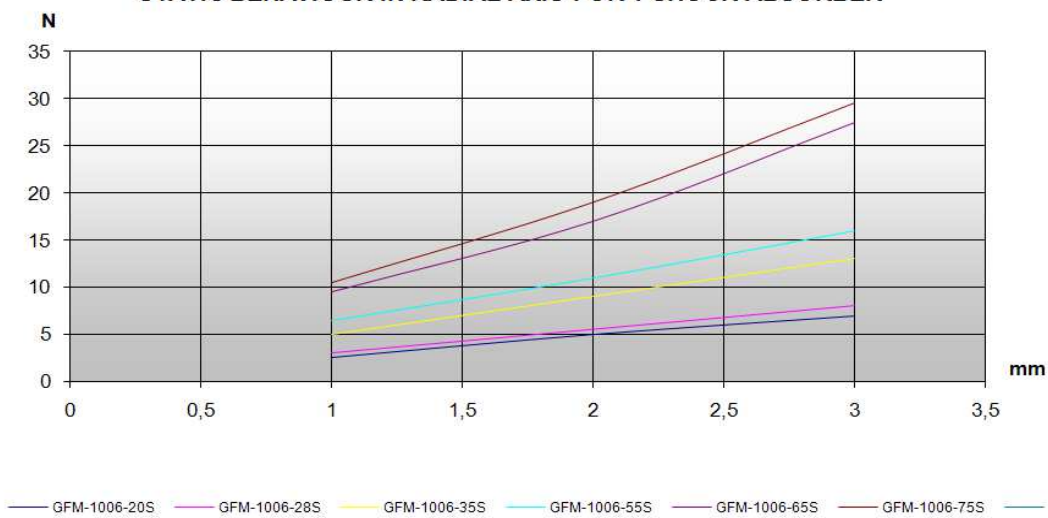


GFM-1006 Series

DYNAMIC BEHAVIOUR IN AXIAL AXIS FOR 4 SHOCK ABSORBERS



STATIC BEHAVIOUR IN RADIAL AXIS FOR 1 SHOCK ABSORBER



This behaviour is obtained in configuration described here:

