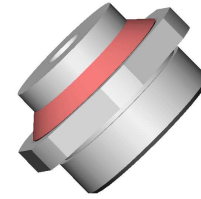


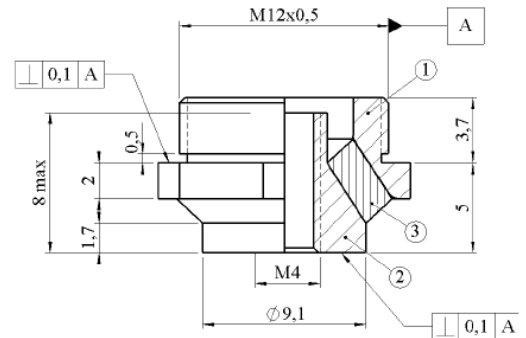
GFM-1007-80



Construction

The GFM-1007 series dampers are made of elastomers with high mechanical properties and elevated damping, allowing to reach a transmissibility at resonance lower than 4 according with loads and input levels

The mechanical parts are made of stainless steel
Their fixing is realized, onto the support plate, by means of a metric threaded bolt M12*0.5 and by means of a centre taped hole of M4
Approximate weight of damper: 16 grams



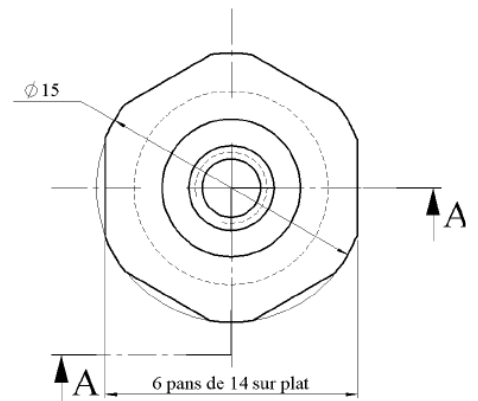
Applications

These dampers are suitable for realisation of insulation of small devices with low mass, where accuracy is a leading behaviour

Codification

The reference to be indicated for these dampers is:
GFM-1007-80

Particular achievements with specific load range can be proposed, for any request, consult our engineering departments



Characteristics

The axial resonance frequency under 180grams unit load and Random level of 0.071g²/Hz in range of 100-1000Hz with an initial slope of +6dB/oct, is of 80Hz +/- 10Hz

Load is applicable in all directions

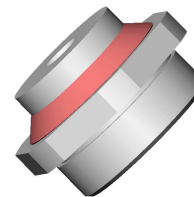
The axial to radial frequency factor is 1,0

The Q factor is less than 4.0 in all directions

The max displacement is of 1mm in Tension and compression directions and +/-0.5mm in shear direction

The operative temperature range is from -55°C to +150°C

GFM-1007-80



Characteristics

