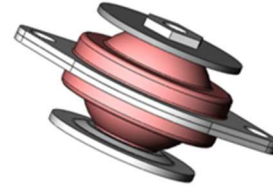


GKE-1009 Series

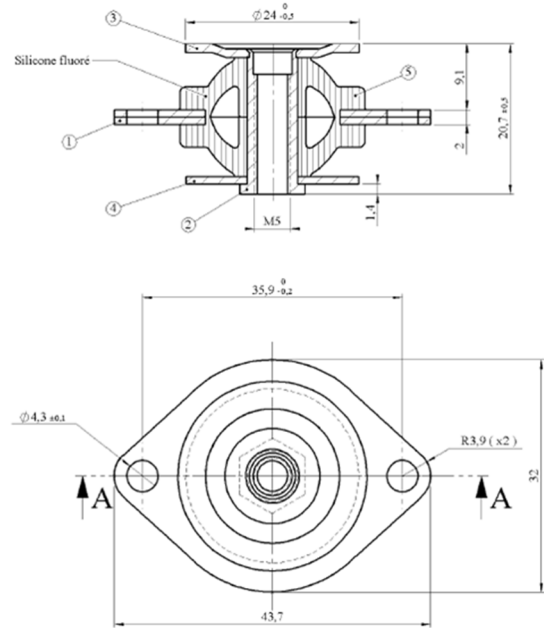
Construction

The GKE-1009 series dampers are made of silicone with high mechanical fatigue properties and elevated damping, allowing to reach a transmissibility at resonance lower than 4 according with loads and input levels ($Q_{max} < 7$)
Approximate weight of damper: 24 grams



Applications

The small size of damper with a failsafe design and a ability to work in all attitude authorize the use of this damper in a very large field of application for insulation of sensitive equipment like hard disks, video recorders, or other small electronic devices and computers on board or on fixed stations as well as for noise reduction when it's used as a motor mount
In a small size, their deflexion ability enabling them to withstand to medium shock or jerk applied on structure



Codification

The reference to be indicated for these dampers is at follows:
GKE-1009-[xx];
[xx] corresponding to the index of load range

Particular achievements with specific load range can be proposed, for any request, consult our engineering departments

Characteristics

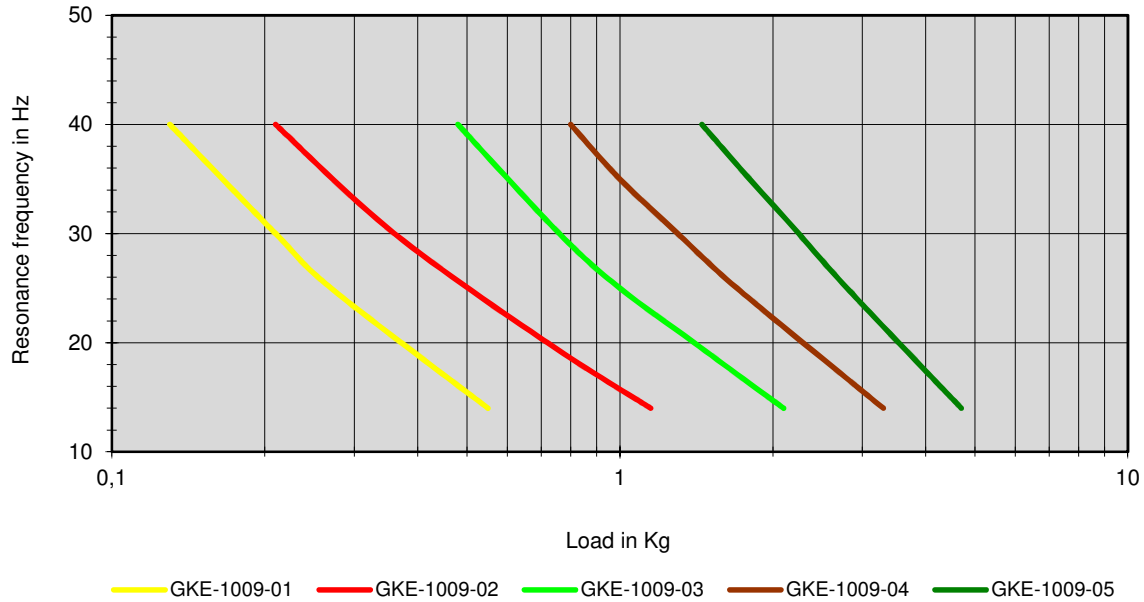
It is possible to apply the load in all directions
The resonance frequency range is from 15 to 25Hz
The axial to radial frequency factor is about 1
The operative temperature range is from -55°C to +150°C for silicone dampers

The maximum loads are:

GKE-1009-01	GKE-1009-02	GKE-1009-03	GKE-1009-04	GHE-1009-05
0,55 Kg	1,15 Kg	2,1 Kg	3,3 Kg	4,7 Kg

GKE-1009 Series

Load range under $\pm 0,4\text{mm}$



Typical dynamic rigidification behaviour

