

# GKE-H Series

## Construction

The GKE series dampers are made of elastomers with high mechanical fatigue properties and elevated damping, allowing to reach a transmissibility at resonance lower than 3 according with loads and input levels ( $Q_{max} < 4,5$ )  
Approximate weight of damper: 120 grams

## Applications

These isolators are suitable in a very large application field, for insulation of sensitive equipment boarded or at fixed stations, like full bays, compressors, power of hydraulic units rotary machines, portable cabinets and measuring equipment, with a good isolation of low frequencies under high dynamic input  
In a small size, their deflexion ability enabling them to damped shock or jerk applied on structure  
The addition of the specific screw allows higher shock level in comparison of GKE-B series

## Codification

The reference to be indicated for these dampers is :  
GKE-H-[xx] M6 or M8;  
[xx] corresponding to the index of load range

**Particular achievements with specific load range can be proposed, for any request, consult our engineering departments**

## NATO Codification

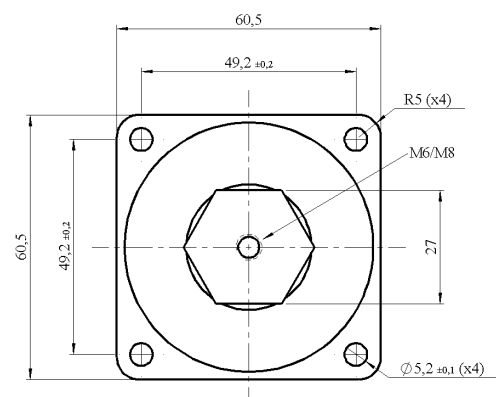
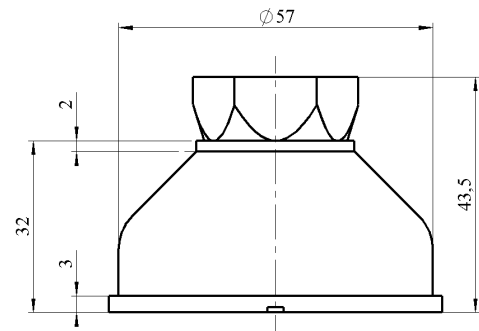
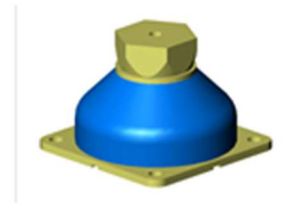
GKE-H1-M6: 5340.14.426.8137

## Characteristics

It is possible to apply the load in all directions but preferably in compression axis  
The vibrations levels can reach  $\pm 3\text{mm}$  and this for resonance frequencies from 8Hz  
The axial to radial frequency factor is about 1,2  
The maximum displacements are of  $-15\text{mm}/+40\text{mm}$  in axial and  $\pm 25\text{mm}$  in radial direction  
The operative temperature range is from  $-55^{\circ}\text{C}$  to  $+150^{\circ}\text{C}$

The maximum loads are:

GKE-H1	GKE-H2	GKE-H3	GKE-H4	GKE-H5
6,0 Kg	7,0 Kg	9,0 Kg	12,0 Kg	20,0 Kg



# GKE-H Series

