

GKE-P Series

Construction

The GKE-P series dampers are made of elastomers with high mechanical fatigue properties and elevated damping, allowing to reach a transmissibility at resonance lower than 4 according with loads and input levels

The mechanical parts are made of stainless steel. Their fixing is realized, onto the support plate, by means of 4 holes $\varnothing 4$ on square 29,5mm and by means of a centre taped hole of 10-32 UNF-2B (possible M6/ $\varnothing 5,6$ or $\varnothing 6,2$)
Approximate weight of damper: 16 grams

Applications

These isolators are suitable in a very large application field, for insulation of sensitive equipment like hard disks, video recorders, or other small electronic devices and computers on board or on fixed stations

Codification

The reference to be indicated for these dampers is as follows:
GKE-P[xx];
[xx] corresponding to the index of load range

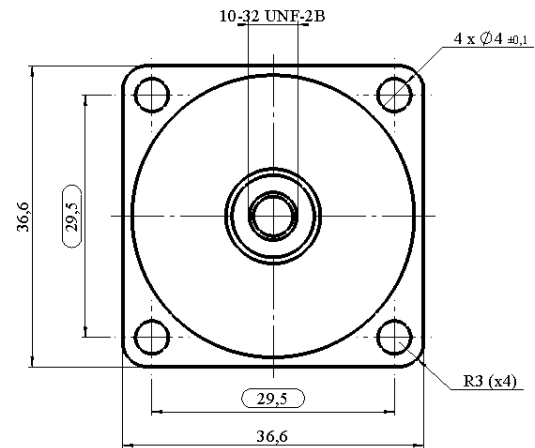
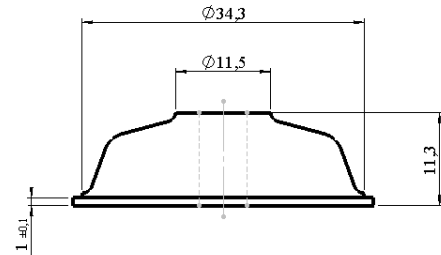
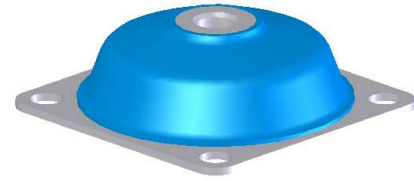
Particular achievements with specific load range can be proposed, for any request, consult our engineering departments

Characteristics

It is possible to apply the load in all directions
The vibrations levels can reach $\pm 1,0\text{mm}$ and this for resonance frequencies from 15Hz
The axial to radial frequency factor is about 1
The operative temperature range is from -55°C to $+150^{\circ}\text{C}$

The maximum loads are:

GKE-P1	GKE-P2	GKE-P3	GKE-P4	GHE-P5
0,9 Kg	1,4 Kg	2,0 Kg	3,2 Kg	5,1 Kg



GKE-P Series

