

GKE S Series

Construction

The GKE S series dampers are made of high mechanical properties elastomers featuring also a low amplification at resonance ($Q < 5$)

The loads have to be mounted in compression axis

The metallic parts are made in stainless steel

Approximate weight of damper: 80 grams

Applications

These dampers are perfectly suitable for insulation of electronic devices, computers, on board or mounted on fixed stations, with good vibration attenuation from 10 Hz

Their low frequency behavior allows to specify them for helicopter applications

Codification

The reference to be indicated for these dampers is :

GKE-S-[xx] ;

[xx] corresponding to the index of load range

Particular achievements with specific load range can be proposed, for any request, consult our engineering departments

Characteristics

The load must be applied in compression direction only

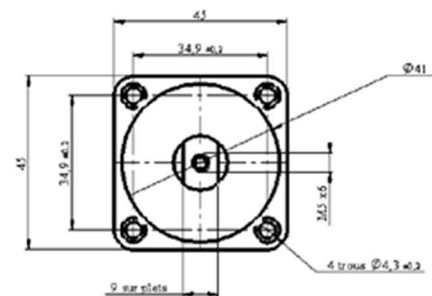
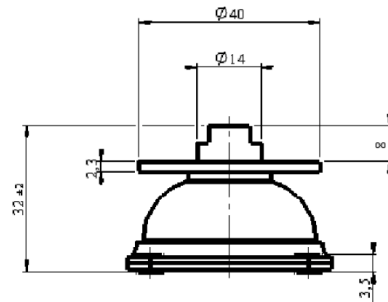
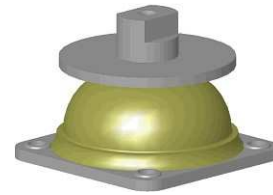
The vibrations levels can reach $\pm 1,5\text{mm}$ and resonance frequencies from 7 Hz

The axial to radial frequency factor is about 1.4

The operative temperature range is from -55°C to $+150^{\circ}\text{C}$

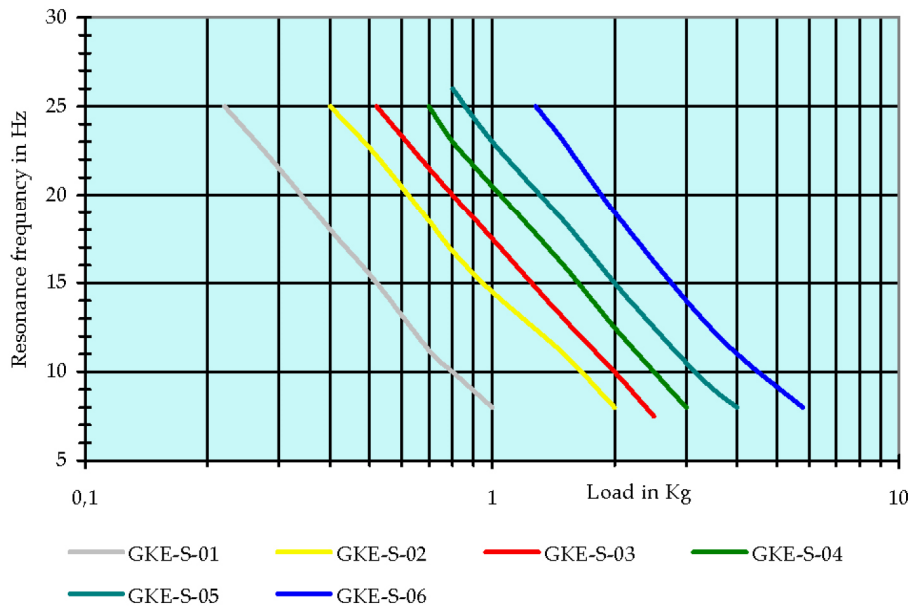
The maximum loads are:

GKE-S-01	GKE-S-02	GKE-S-03	GKE-S-04	GKE-S-05	GKE-S-06
1,0 Kg	2,0 Kg	2,5 Kg	3,5 Kg	4,5 Kg	6,0 Kg



GKE S Series

Load range under +/- 1,5mm



Dynamic rigidification behaviour

