

GBC-136 Series

Construction

The GBC series dampers are made of elastomers with high mechanical fatigue properties and elevated damping, allowing to reach a low transmissibility at resonance according with loads and input levels

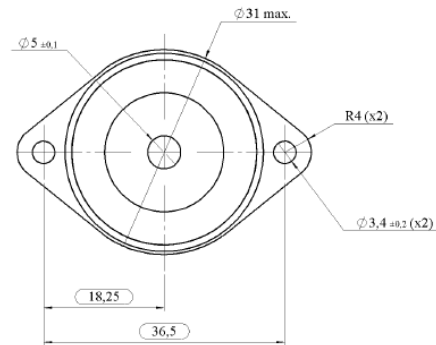
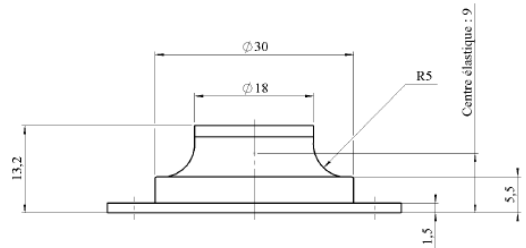
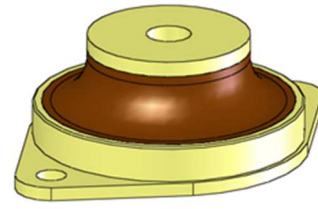
The mechanical parts are made of aluminium alloy chromate treated per MIL-C-5541.

Their fixing is realized, onto the support plate, by means of 2 holes for M3 screws on a 36.5mm hole to hole size and by means of a centre hole of 5mm

Approximate weight of damper: 13 grams

Applications

These isolators are suitable in a very large application field, for insulation of sensitive equipment like navigation and guidance units, hard disks, video recorders, or other small electronic devices and computers on board or on fixed stations



Characteristics

It is possible to apply the load in all directions

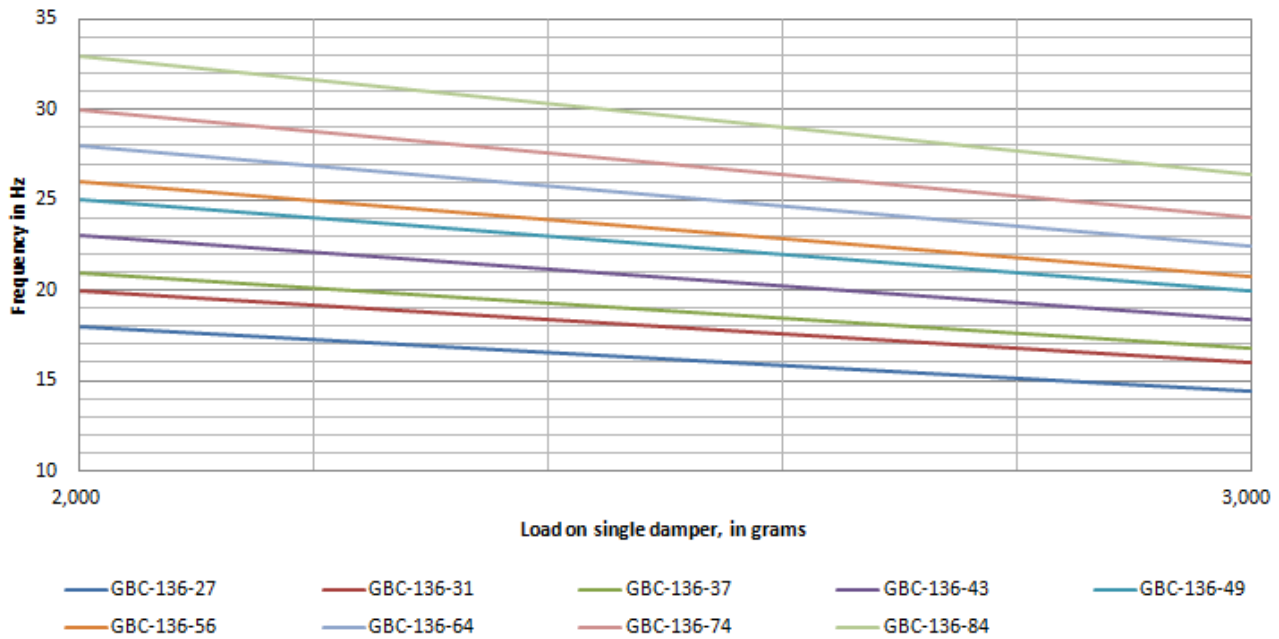
The vibrations levels can reach $\pm 0,6\text{mm}$ at his resonance frequency

The resonance frequency by an input level of $\pm 0.45\text{mm}$ and a static load of 2.0 Kg is indicate in following table

-27	-31	-37	-43	-49	-56	-64	-74	-84
4,5 kg	6,0 kg	8,2 kg	11,5 kg	11,5 kg	11,5 kg	11,5 kg	11,5 kg	11,5 kg

GBC-136 Series

Dynamic behaviour : Load range of dampers for +/-0,45mm input



Corrective factor on frequency for nominal value obtained under +/-0,45mm

