

# GBC-169

## Construction

The GBC-169 series dampers are made of elastomers with high mechanical fatigue properties and elevated damping, allowing to reach a transmissibility at resonance lower than 5 according with loads and input levels

The mechanical parts are made of aluminium alloy chromate treated.

Their fixing is realized, onto the support plate, by means of 2 holes for M6 screws on a 69.6mm and by means of a centre hole of 10mm for standard execution, this could be modified, it's also possible to have an M8 tapped hole

Approximate weight of damper : 50 grams

## Applications

These isolators are suitable in a very large application field, for insulation of sensitive equipment like navigation and guidance units, hard disks, video recorders, or other small electronic devices and computers on board or on fixed stations

## Codification

The P/N is given by :

GBC-169-XX

XX means the Axial resonance frequency under  $\pm 0.45\text{mm}$  with damper loaded at 11kg unit

## Characteristics

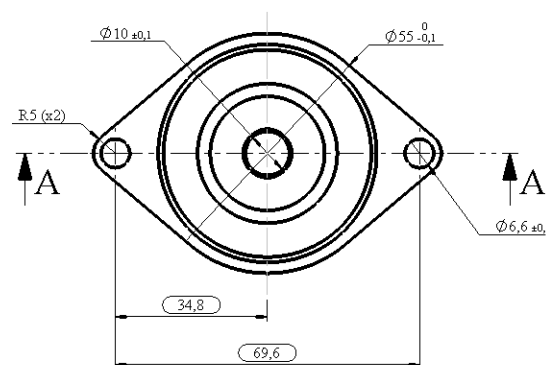
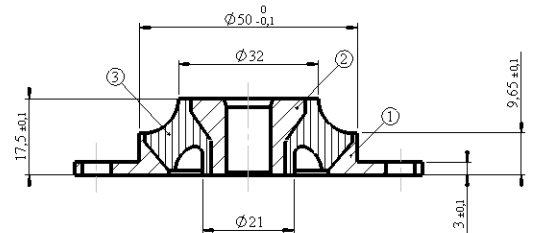
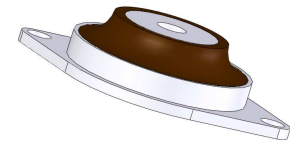
It is possible to apply the load in all directions

The vibrations levels can reach  $\pm 0,45\text{mm}$  at his resonance frequency

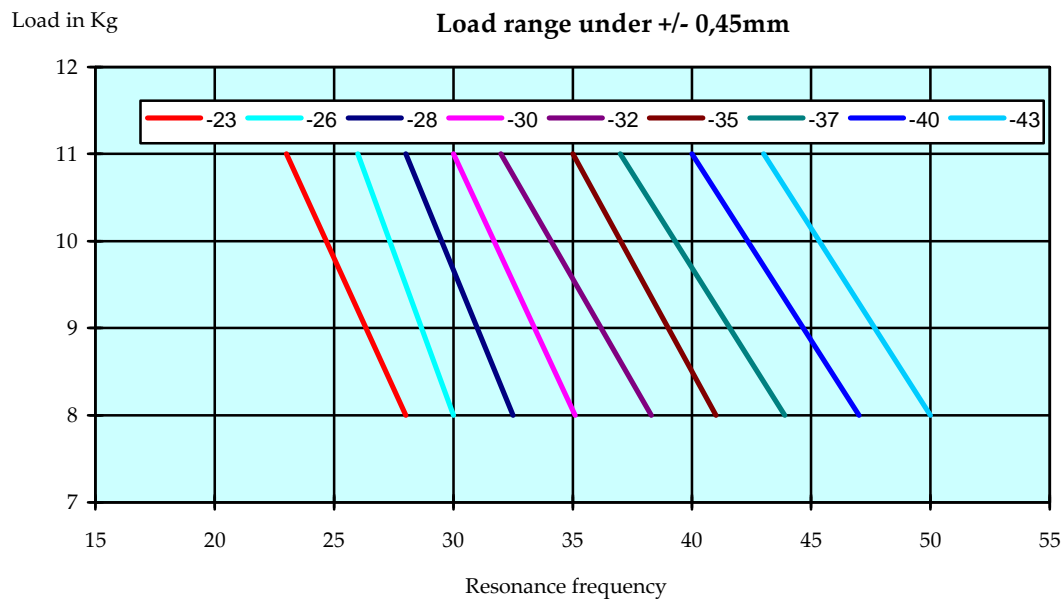
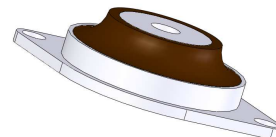
The axial to radial stiffness factor is about 1,1

The operative temperature range is from  $-55^{\circ}\text{C}$  to  $+150^{\circ}\text{C}$

The maximum static load is: about 10 Kg per damper



# GBC-169



## Temperature behaviour

