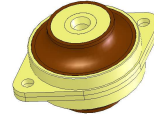


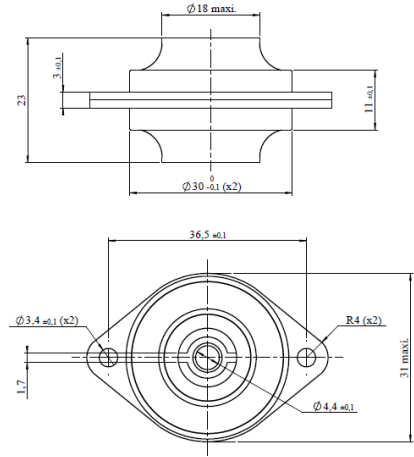
GBC-1046



Construction

The GBC-1046 dampers are made of elastomers with high mechanical fatigue properties and very high damping, allowing to reach a transmissibility at resonance lower than 4,5 according with loads and input levels

The mechanical parts are made of aluminium alloy chromate treated (Surtec 650) to be REACH compliant
 Their fixing is realized, onto the support plate, by means of 2 holes for M3 screws on a 36.5 mm between axis and by means of a centre hole of 4,4mm
 Approximate weight of damper: 30 grams



Applications

These isolators are suitable in a very large application field, for insulation of sensitive equipment like navigation and guidance units, hard disks, video recorders, or other small electronic devices and computers on board or on fixed station

Characteristics

It is possible to apply the load in all directions
 The vibrations levels can reach $\pm 0,15\text{mm}$ at his resonance frequency
 The axial to radial stiffness factor is about 1

The operative temperature range is from -55°C to $+150^{\circ}\text{C}$

The Shelf life is of 10 Years in normal conditions (NF-L-17-103)

