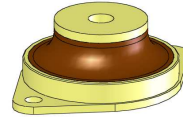


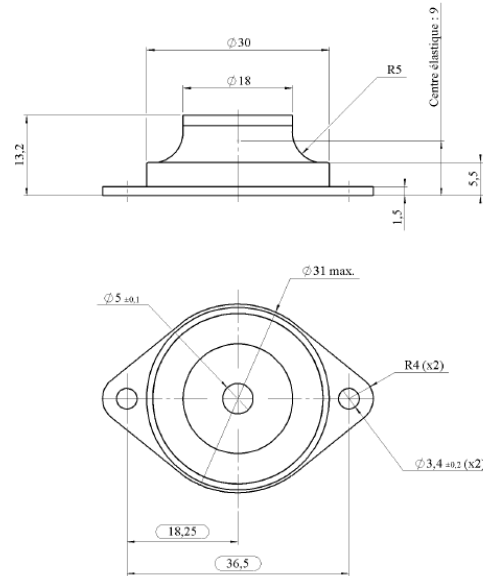
GBC-136-284



Construction

The GBC-136-284 dampers are made of elastomers with high mechanical fatigue properties and very high damping, allowing to reach a transmissibility at resonance lower than 4,5 according with loads and input levels

The mechanical parts are made of aluminium alloy chromate treated (Surtec 650) to be REACH compliant
 Their fixing is realized, onto the support plate, by means of 2 holes for M3 screws on a 36.5mm hole to hole and by means of a centre hole of 5,0mm
 Approximate weight of damper: 13 grams



Applications

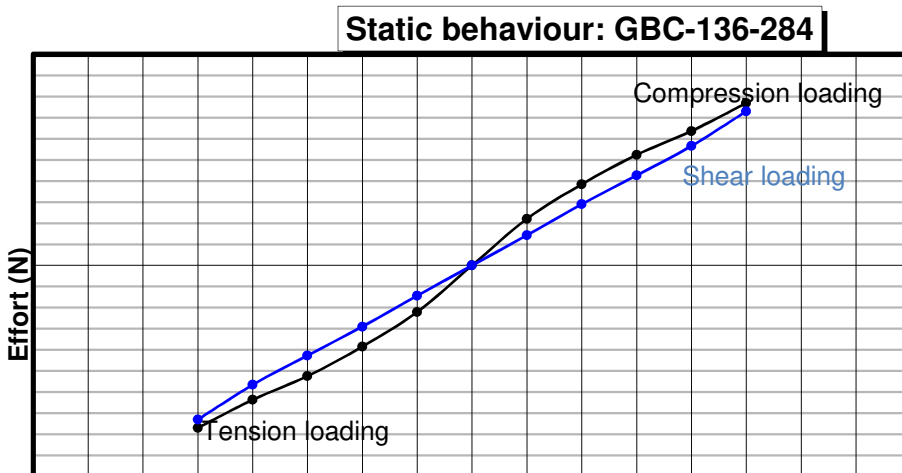
These isolators are suitable in a very large application field, for insulation of sensitive equipment like navigation and guidance units, hard disks, video recorders, or other small electronic devices and computers on board or on fixed station

Characteristics

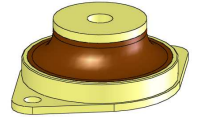
It is possible to apply the load in all direction
 The vibration level can reach +/-0.6mm at his resonance frequency
 The resonance frequency by an input of +/-0.45mm and a static load of 4.5Kg is about 60Hz (+/-10%) in both axial and Radial direction
 Q factor is less than 4.5 at room temperature (less than 6.0 in higher range of temperature)
 The operative temperature range is from -55°C to +150°C

The maximum static load is: 4,5 Kg per damper

The Shelf life is of 10 Years in normal conditions (NF-L-17-103)

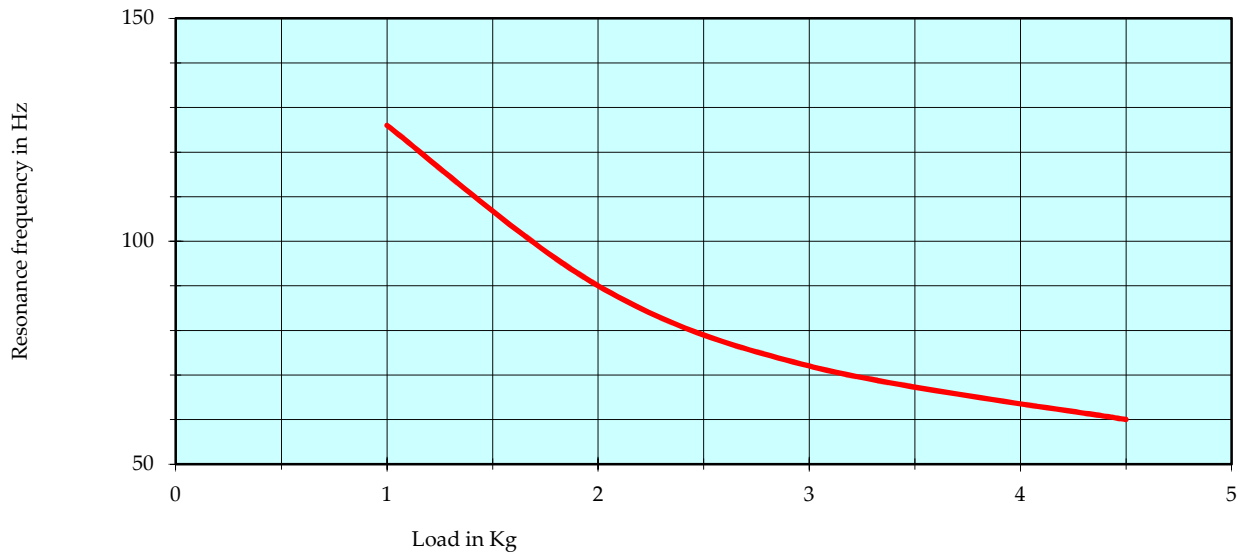


GBC-136-284



Dynamic behavior

Load range under +/- 0,45mm



Frequency VS Input (unit load of 4,5Kg)

