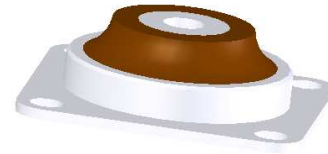


GBC-235 Series



Construction

The GBC series dampers are made of elastomers with high mechanical fatigue properties and elevated damping, allowing to reach a transmissibility at resonance lower than 4 according with loads and input levels.

The mechanical parts are made of aluminium alloy chromate treated per MIL-C-5541.

Their fixing is realized, onto the support plate, by means of 4 holes for M5 screws on a 35mm square and by means of a centre hole of 6.5mm

Approximate weight of damper: 20 grams

Applications

These isolators are suitable in a very large application field, for insulation of sensitive equipment like navigation and guidance units, hard disks, video recorders, or other small electronic devices and computers on board or on fixed stations.

Codification

The reference to be indicated for these dampers is as:

GBC-235-xxx;

[xxx] corresponding to spring rate in N/mm under 4.5Kg unit load and amplitude of ± 0.45 mm

Example: GBC-235-323, indicate that resonance frequency of mount is 42 Hz under sine input level of ± 0.45 mm and with an axial unit load of 4.5 Kg per damper

The lowest spring rate will be 30N/mm

The highest spring rate will be 323N/mm

Characteristics

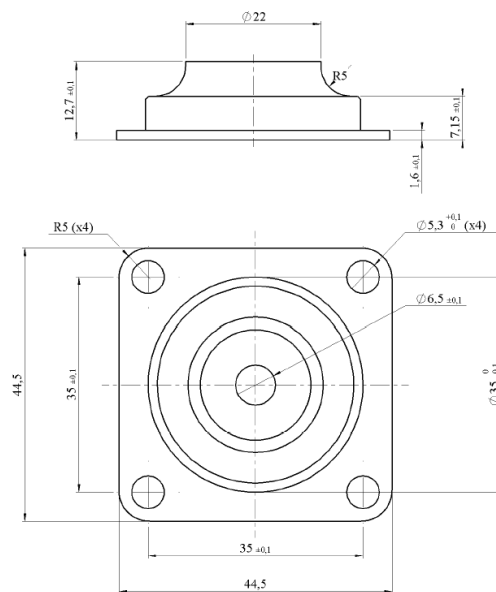
It is possible to apply the load in all directions

The vibrations levels can reach $\pm 0,5$ mm at his resonance frequency

The axial to radial stiffness factor is about 1,1

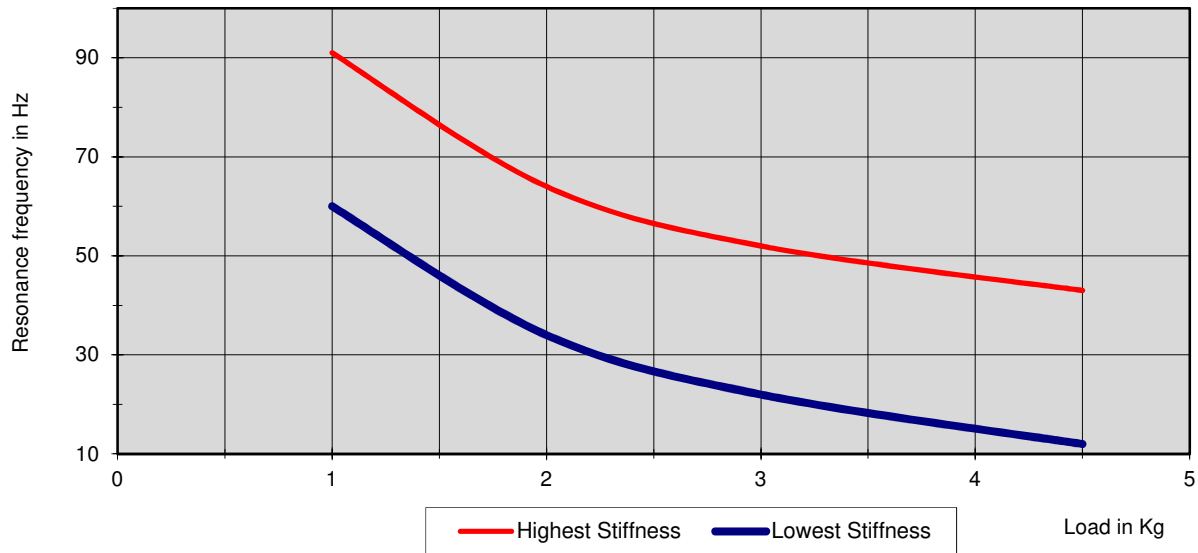
The operative temperature range is from -55°C to $+150^{\circ}\text{C}$

The maximum static load is: 4,5 Kg per damper:



GBC-235 Series

Load range under +/- 0,45mm



Temperature behaviour

