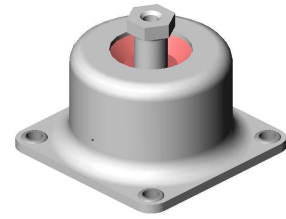


110-G5 Series



Construction

The 110 series dampers are made of stainless steel metal parts and elastic rubber elements with high mechanical properties
 The amplification at resonance is less than 5
 The mounting is possible in all direction
 Their construction is fail-safe and the weight about 200 gr

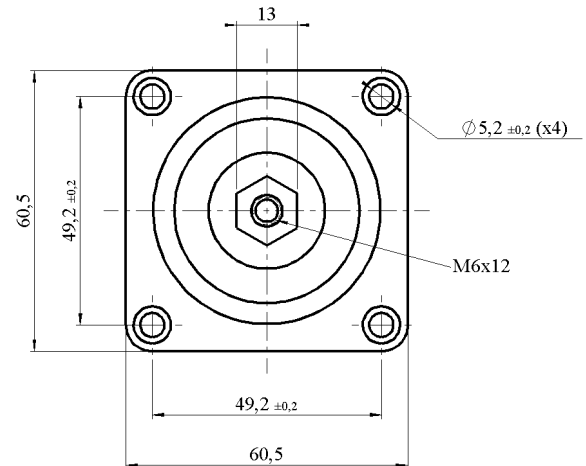
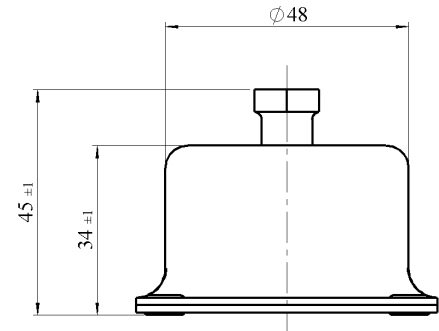
Applications

These isolators are suitable for insulation of sensitive equipment on carrier or at fixed stations, with a good isolation under high dynamic input

Codification

The reference to be indicated is as follows :
 110-G5-01

The NATO code is : 5340-14-542-2754



Characteristics

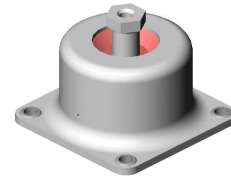
The vibrations levels can reach $\pm 1.25\text{mm}$ and this for resonance frequencies from 12 Hz
 The axial to radial behaviour is with a factor of 0,95
 The operative temperature range is from -30°C to $+80^{\circ}\text{C}$

The load range under $\pm 1.25\text{mm}$ are :

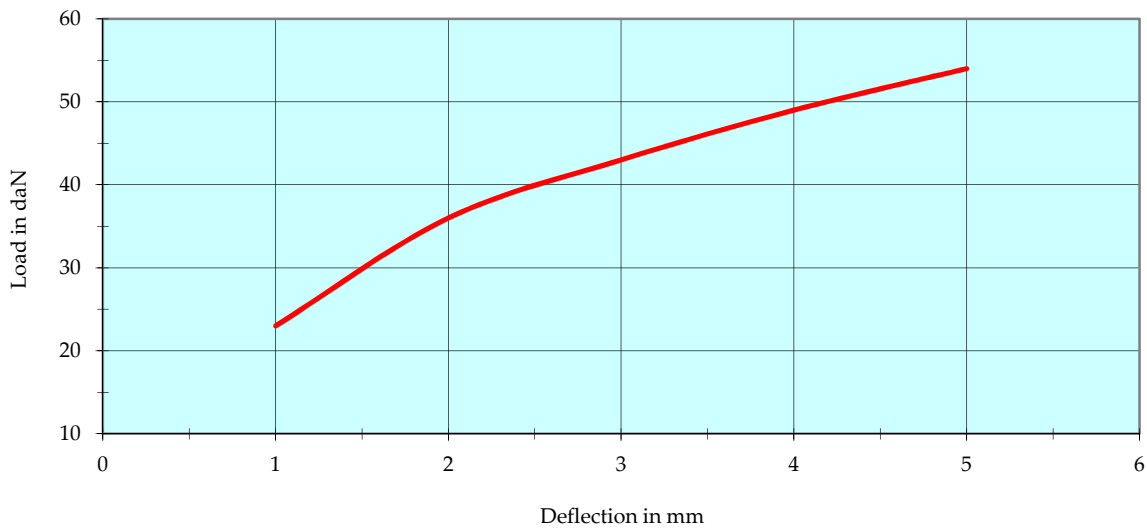
	110-G5-01
Load Range	30.0 – 20.0 Kg
For resonance frequencies	12 – 15 Hz

The Shelf life is of 8 Years in normal conditions (NF-L-17-103)

110-G5 Series



Static behavior axial



Dynamic Rigidification

