

3G2 Series

Construction

The 3G2 series dampers are made of stainless steel metal parts and elastic rubber elements mounted at opposite in order to allow an all attitude working possibility, with almost the same behavior in all positions
Their construction is fail-safe
Approximate weight of damper : 40 grams

Applications

These isolators are suitable for insulation of sensitive equipment on carrier or at fixed stations, with a good isolation at 20 Hz

Codification

The reference to be indicated for these dampers is:
3G2AS-[xx] ;
[xx] corresponding to the index of load range

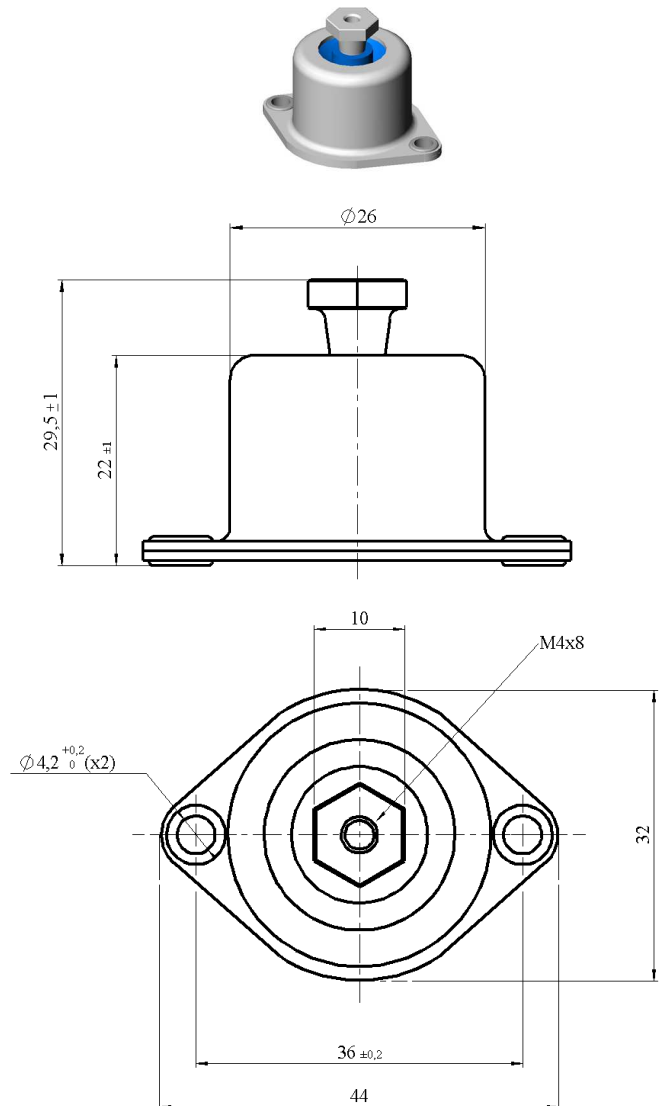
Particular achievements with specific load range can be proposed, for any request, consult our engineering departments

Characteristics

The load can be applied in all directions, the maximum loads are :

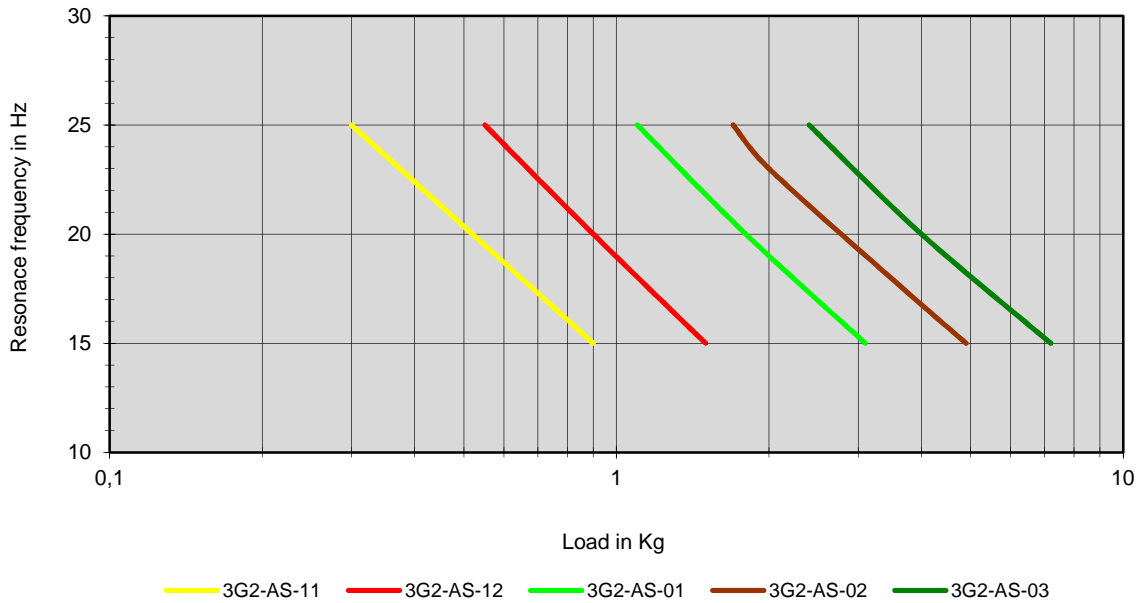
3G2-AS-11	3G2-AS-12	3G2-AS-01	3G2-AS-02	3G2-AS-03
0,9 Kg	1,5 Kg	3,0 Kg	4,5 Kg	7,5 Kg

The dynamic stress can reach $\pm 1,5\text{mm}$ for frequencies from 10Hz
The resonance amplification factor could be lower than 3 ($Q_{\text{max}} < 6$)
The axial to radial frequency factor is about 1,1
The operative temperature range is from -50°C to $+150^{\circ}\text{C}$



3G2 Series

Load range under +/-0,4mm



Typical dynamic rigidification behaviour

