

3G4-AH Series

Construction

The 3G4-AH series dampers are made of stainless steel metal parts and elastic rubber elements, mounted at opposite in order to allow a all attitude working possibility, with near to the same behaviour in all positions

Their construction is fail-safe

Approximate weight of damper : 110 grams

Applications

This isolators are suitable for insulation of sensitive equipments on carrier or at fixed stations, with a good isolation at 15Hz under high stress, specially they are adapted for helicopters applications

This mounts satisfy the requirements of standards GAM EG 13 B and MIL STD 810 F

Codification

The reference to be indicated for these dampers is at follows :
3G4-AH-[xx] ;
[xx] corresponding to the index of load range

Particular achievements with specific load range can be proposed, for any request, consult our engineering departments

Features

The static load can be applied in all directions

The input level can reach $\pm 1.2\text{mm}$ for resonance frequencies from 11Hz

The axial to radial frequency factor is 0.95

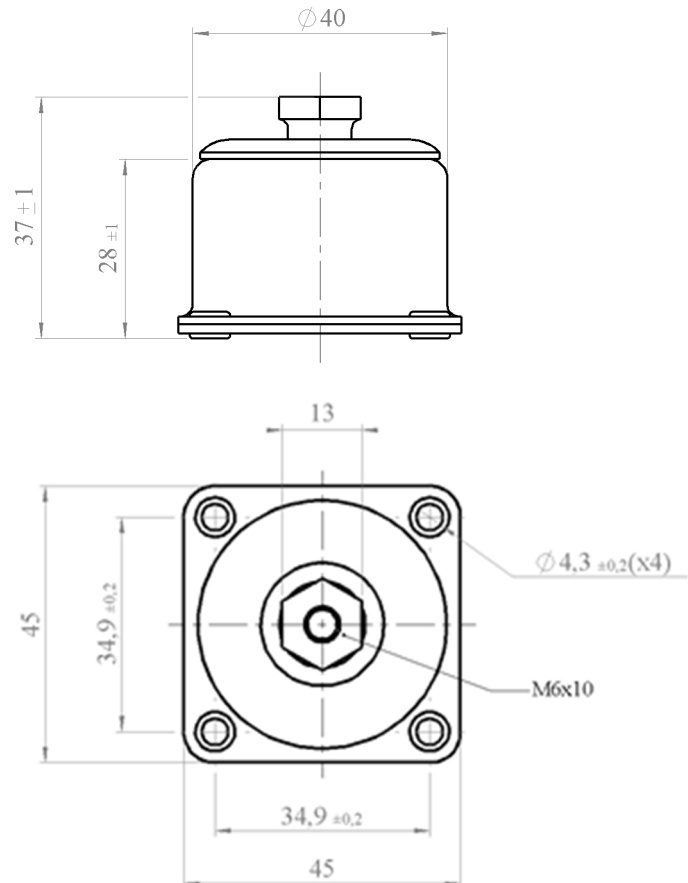
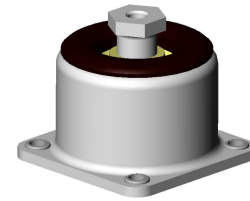
The max static loads are

3G4-AH-20	3G4-AH-35	3G4-AH-45	3G4-AH-55	3G4-AH-65	3G4-AH-75
2,5 Kg	3,5 Kg	5,5 Kg	8,0 Kg	10,5 Kg	12,0 Kg

The resonance amplification factor could be lower than 3.5 ($Q_{\text{max}} < 5$)

They are able to withstand to high level shocks like half sine pulse 40g-11ms

The temperature range in operational domain is -55°C to $+150^{\circ}\text{C}$



3G4-AH Series

