

3G5 Series

Construction

The 3G5 series dampers are made of stainless steel metal parts and elastic rubber elements mounted at opposite in order to allow an all attitude working possibility, with almost the same behaviour in all positions

Their construction is fail-safe

Approximate weight of damper : 220 grams

Applications

These isolators are perfectly suitable for insulation of sensitive equipment on carrier or at fixed stations, with a good isolation at 15 Hz under high dynamic input

Codification

The reference to be indicated for these dampers is :

3G5-AN-[xx], 3G5-AF-[xx] or 3G5-AS-[xx]

[xx] corresponding to the index of load range

Particular achievements with specific load range can be proposed, for any request, consult our engineering departments

Features

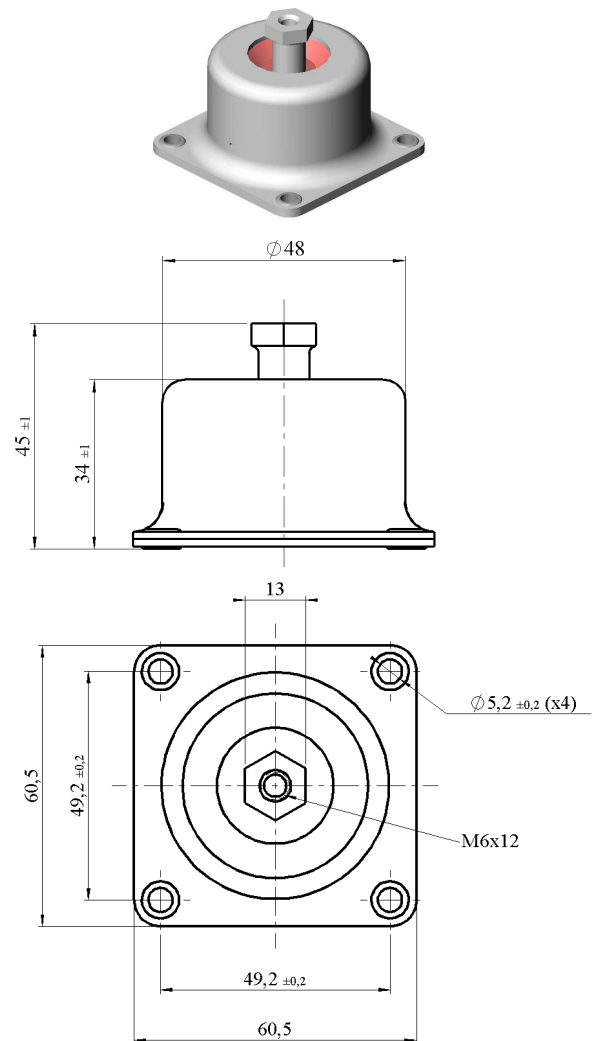
Three different executions are making the complete range of 3G5 series, differentiated by nature of used rubber or by type of elastic component.

The characteristics are as following :

P/N	Maximum input level	Load range	Q factor	Axial to radial behaviour	Temperature range
3G5-AN	+/- 1,25mm	4 to 22 Kg	< 7	0,95	-30°C to +80°C
3G5-AS	+/- 1,5mm	2,5 to 18 Kg	< 4	0,85	-55°C to +150°C
3G5-AF	+/- 1,5mm	1,5 to 65 Kg	< 7	1,15	-55°C to +150°C

The load can be applied in all directions, the maximum loads are

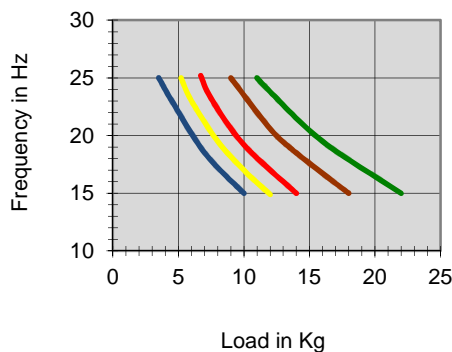
3G5-AN-1	3G5-AN-2	3G5-AN-3	3G5-AN-4	3G5-AN-5
10,0 Kg	12,5 Kg	14,0 Kg	18,0 Kg	22,0 Kg
3G5-AS-1	3G5-AS-2	3G5-AS-3	3G5-AS-4	3G5-AS-5
5,4 Kg	7,4 Kg	10,0 Kg	13,0 Kg	18,0 Kg
3G5-AF-35	3G5-AF-55	3G5-AF-65	3G5-AF-75	3G5-AF-80
15,0 Kg	22,0 Kg	32,0 Kg	42,0 Kg	65,0 Kg



3G5 Series

3G5-AN

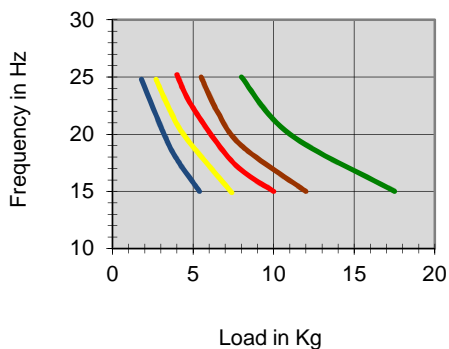
Load range under +/- 0,4mm



— 3G5-AN-1 — 3G5-AN-2 — 3G5-AN-3
— 3G5-AN-4 — 3G5-AN-5

3G5-AS

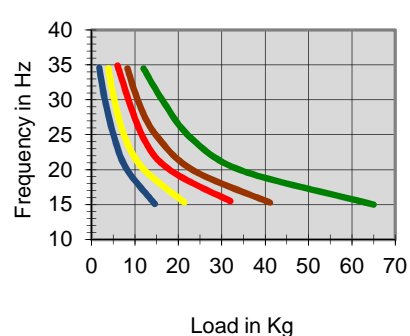
Load range under +/- 0,4mm



— 3G5-AS-1 — 3G5-AS-2 — 3G5-AS-3
— 3G5-AS-4 — 3G5-AS-5

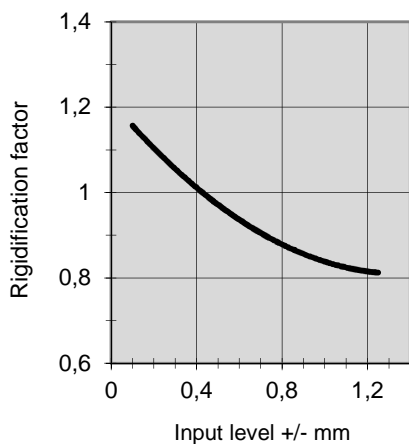
3G5-AF

Load range under +/- 0,4mm

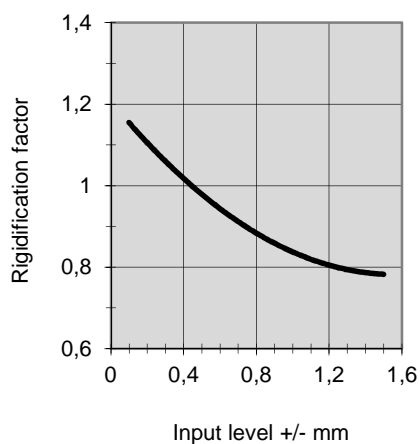


— 3G5-AF-35 — 3G5-AF-55
— 3G5-AF-65 — 3G5-AF-75

Dynamic rigidification behaviour



Dynamic rigidification behaviour



Dynamic rigidification behaviour

