

# 3G6 Series

## Construction

The 3G6 series dampers are made of stainless steel metal parts and elastic rubber elements, mounted at opposite in order to allow an all angle working possibility, with almost the same behaviour in all positions

Their construction is fail-safe

Approximate weight of damper : 420 grams

## Applications

These isolators are perfectly suitable for insulation of sensitive equipment on carrier or at fixed stations, with a good isolation at 15 Hz under high dynamic input

## Codification

The reference to be indicated for these dampers is at follows :  
3G6-AN-[xx],  
[xx] corresponding to the index of load range

*Particular achievements with specific load range can be proposed, for any request, consult our engineering departments*

## NATO Codification

3G6-AN1 : 5340.14.444.9462

## Characteristics

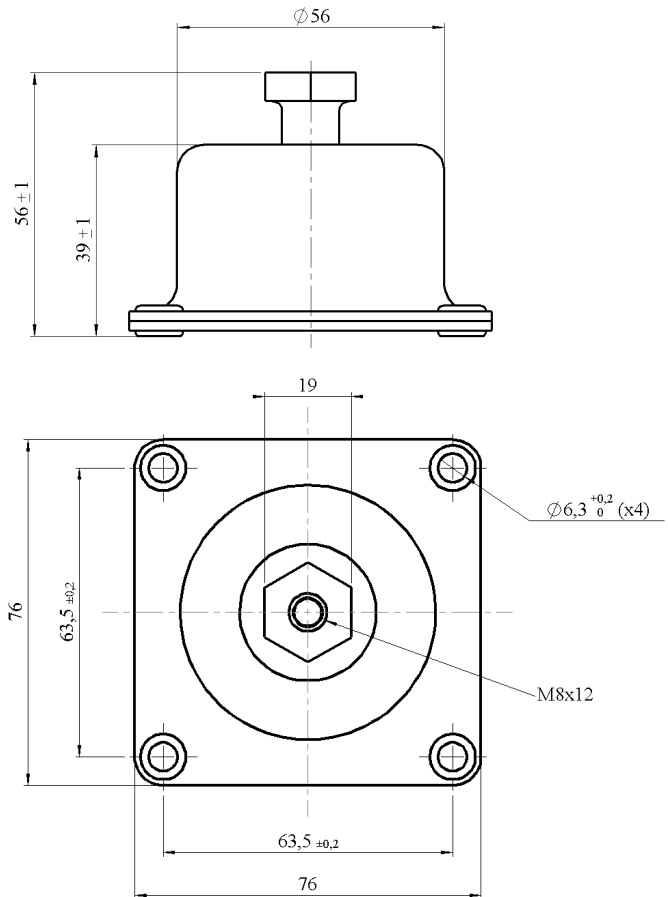
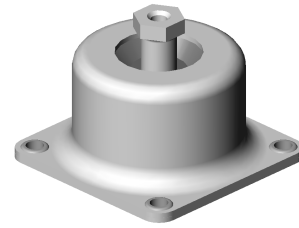
The 3G6 series is developed in 4 indexes of loading, the characteristics are :

P/N	Maximum input level	Load range	Q factor	Operative temperature range
3G6-AN	+/- 2,0 mm	22 to 60 Kg	< 7	-30°C to +80°C

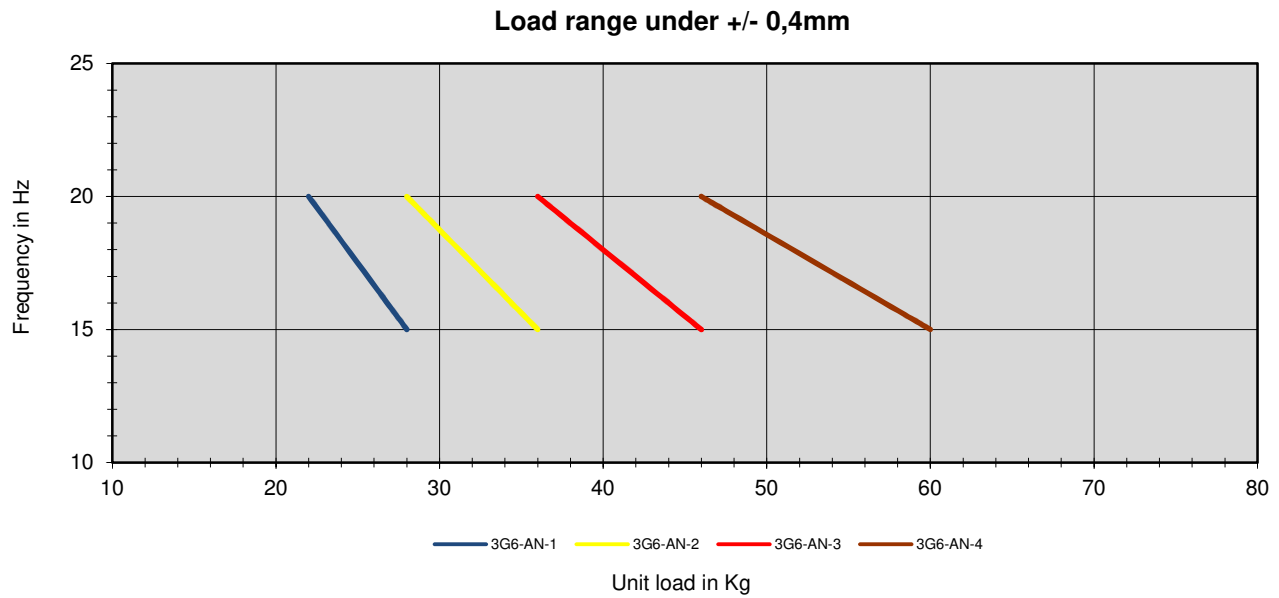
Axial to radial behaviour is about 0,95

The load can be applied in all directions, the maximum loads are :

3G6-AN-1	3G6-AN-2	3G6-AN3	3G6-AN4
28,0 Kg	36,0 Kg	46,0 Kg	60,0 Kg



# 3G6 Series



## Typical dynamic rigidification behaviour

