

# 456-GS Series

## Construction

The 456-GS series dampers are made of stainless steel metal parts and elastic rubber elements, mounted at opposite in order to allow a all attitude working possibility, with near to the same behaviour in all positions

Their construction is fail-safe

Approximate weight of damper : 110 grams

## Applications

These isolators are suitable for insulation of sensitive equipment on carrier or at fixed stations, with a good isolation at 15 Hz under high stress, specially they are adapted for helicopters applications  
This mounts satisfy the requirements of standards  
GAM EG 13 B and MIL STD 810 F

## Codification

The reference to be indicated for these dampers is at follows:

456-GS-[xx] ;

[xx] corresponding to the index of load range

***Particular achievements with specific load range can be proposed, for any request, consult our engineering departments***

## Features

The static load can be applied in all directions

The input level can reach  $\pm 1.2\text{mm}$  for resonance frequencies from 11 Hz

The axial to radial frequency factor is 0.95

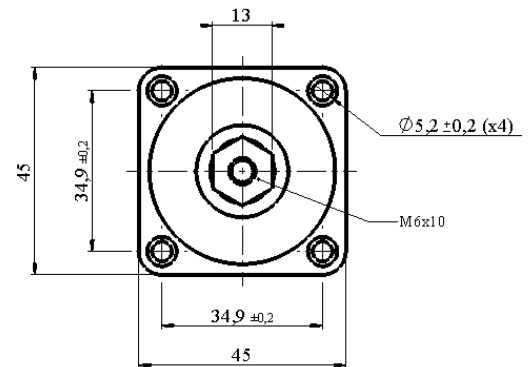
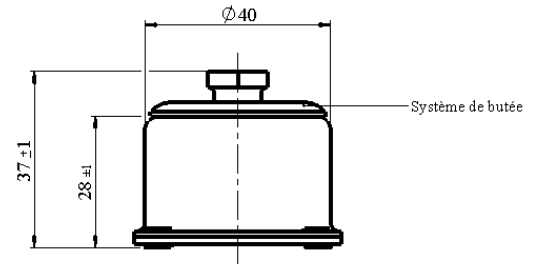
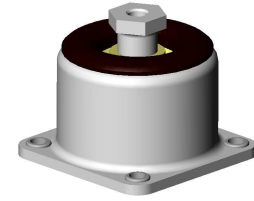
The max static loads are

456-GS-20	456-GS-35	456-GS -45	456-GS -55	456-GS -65	456-GS -75
2,5 Kg	3,5 Kg	5,5 Kg	8,0 Kg	10,5 Kg	12,0 Kg

The resonance amplification factor could be lower than 3.5 ( $Q_{\text{max}} < 5$ )

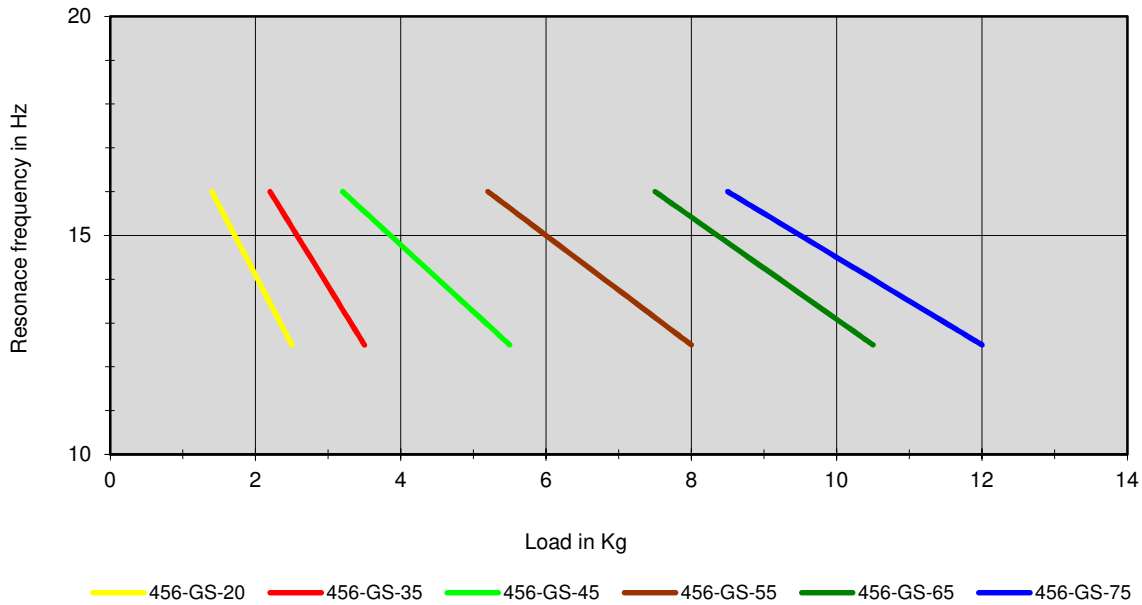
They are able to withstand to high level shocks like half sine pulse 40g-11ms

The temperature range in operational domain is  $-55^{\circ}\text{C}$  to  $+150^{\circ}\text{C}$



# 456-GS Series

Load range under +/- 1mm



Typical dynamic rigidification behaviour

