

# 700 Series

## Construction

The isolators of 700 series are made with elastic components with high mechanical characteristics  
 Their construction is fail-safe  
 Approximate weight of damper: 85 grams

## Applications

These isolators are perfectly suitable for insulation of small sensitive equipment boarded or at fixed stations, in a reduced size with good attenuation in middle frequencies range, under moderate input vibration levels

## Codification

The reference to be indicated for these dampers is:  
 700-GN-[xx] or 700-GS-[xx]  
 GN for neoprene execution and  
 GS for silicone execution  
 [xx] corresponding to the index of load range

**Particular achievements with specific load range can be proposed, for any request, consult our engineering departments**

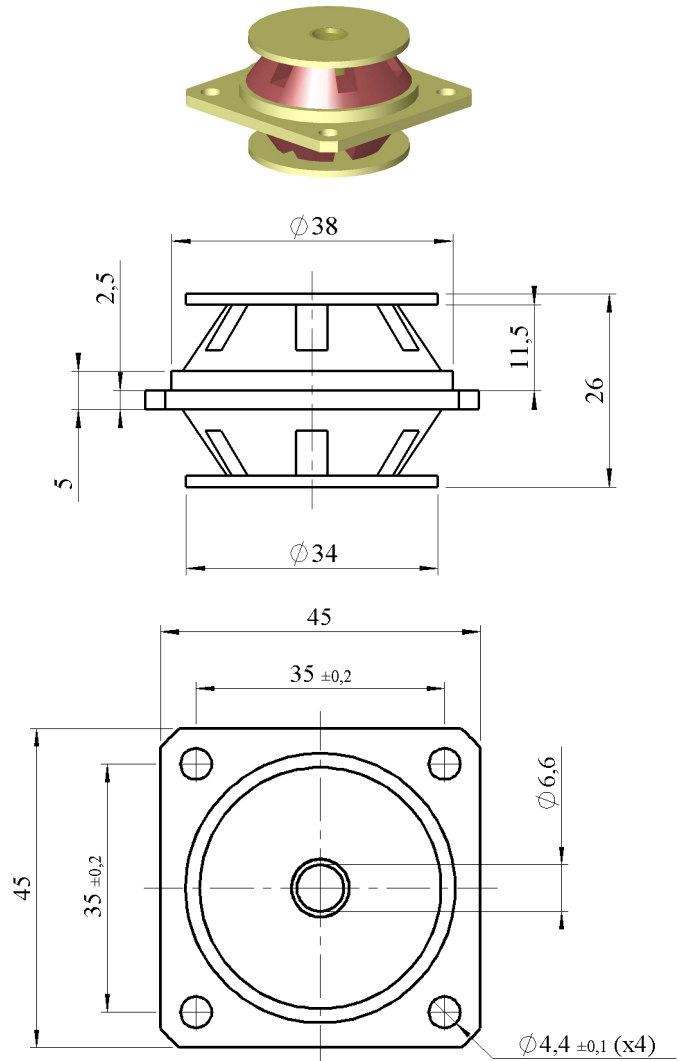
## Characteristics

P/N	Maximum input level	Load range	Q factor	Axial to Radial behaviour	Operative temperature range
700-GN	+/- 0,4mm	0,6 to 25 Kg	< 10	1.2	-30°C to +80°C
700-GS	+/- 0,8 mm	0,6 to 12 Kg	< 4,5	1.1	-55°C to +150°C

Their construction allows them to withstand to high and repetitive shock levels applications

The loading is possible in all directions and attitude, the maximum loads are:

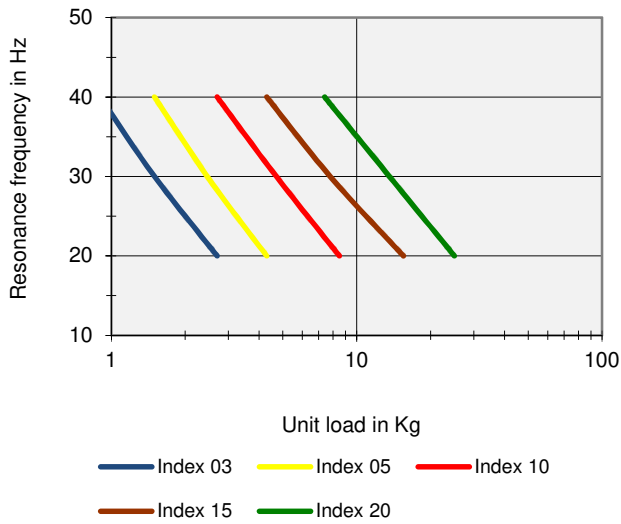
700-GN-03	700-GN-05	700-GN-10	700-GN-15	700-GN-20
2,7 Kg	4,0 Kg	8,5 Kg	15,5 Kg	25,0 Kg
	700-GS-05	700-GS-10	700-GS-15	700-GS-20
3,0 Kg	5,0 Kg	6,5 Kg	9,5 Kg	12,0 Kg



# 700 Series

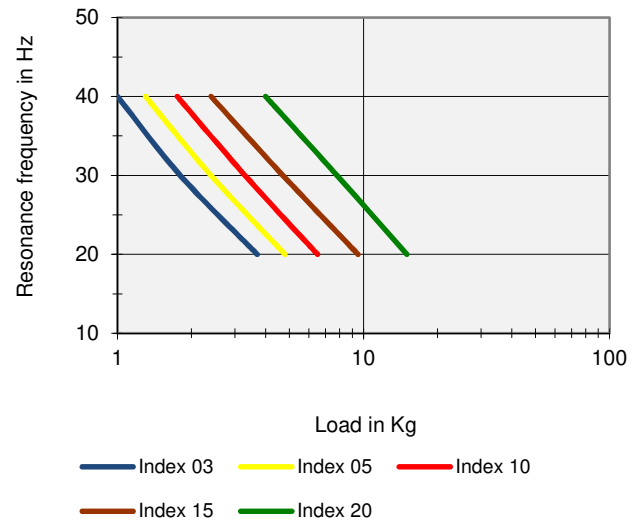
**700-GN (Neoprene)**

**Load range under +/- 0,2 mm**

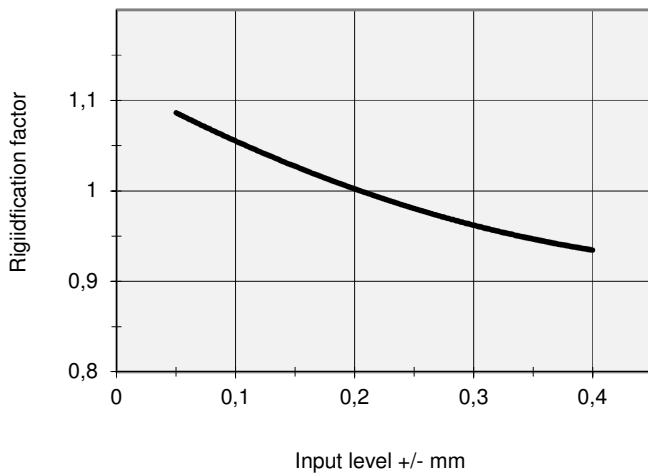


**700-GS (Silicone)**

**Load range under +/- 0,4 mm**



**Typical dynamic rigidification behaviour**



**Typical dynamic rigidification behaviour**

