

BSR-56 Series

Construction

The BSR-56 series dampers are made of stainless steel metal parts and elastic rubber elements with high mechanical features mounted in order to achieve a friction damping with low Q factor (<3.5) The mounting is advisable in compression loading Their construction is fail-safe

Applications

These isolators are suitable for insulation of sensitive equipment on carrier or at fixed stations, with a good isolation under high dynamic input

Codification

It exist 3 different load ranges for this kind of dampers
The reference to be indicated is as follows :
BSR-56S, BSR-56N or BSR-56R
[S,N,R] corresponding to the index of load range

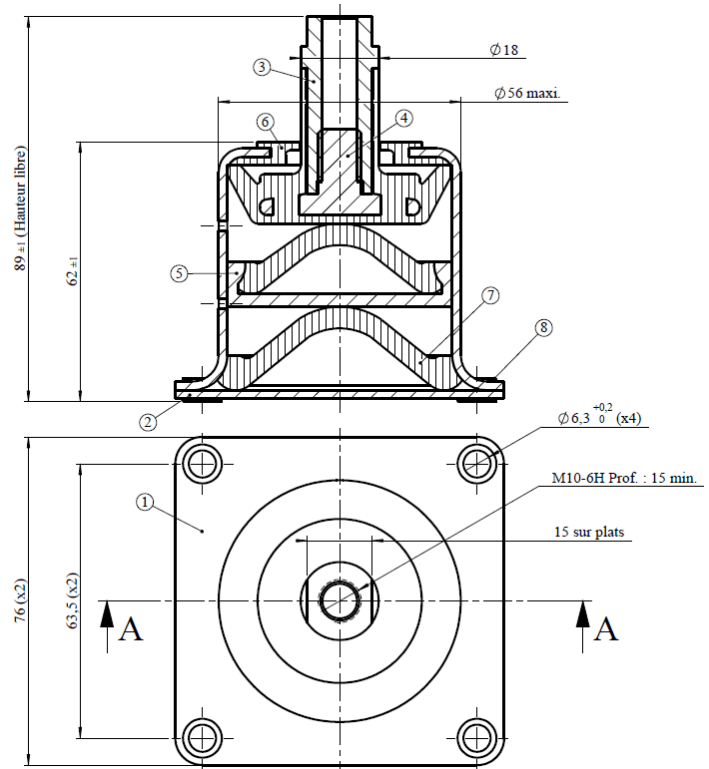
Particular achievements with specific load range can be proposed, for any request, consult our engineering departments

Characteristics

The vibrations levels can reach $\pm 1.5\text{mm}$ and this for resonance frequencies from 8 Hz
They withstand to 4000 bumps 40G/6ms
The operative temperature range is from -30°C to $+80^{\circ}\text{C}$

The load range under $\pm 1.5\text{mm}$ are :

	BSR-56S	BSR-56N	BSR-56R
Load Range	8.0 – 12.0 Kg	12.0 – 16.0 Kg	16.0 – 20.0 Kg
For resonance frequencies	14 – 8 Hz	14 – 8 Hz	14 – 8 Hz



The Shelf life is of 8 Years in normal conditions (NF-L-17-103)