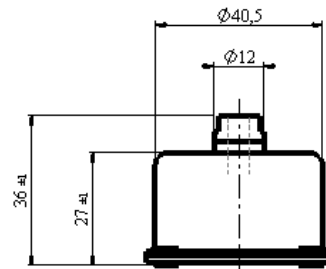
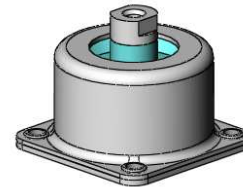


# BTRM-41 Series

## Construction

The BTRM-41 series dampers are made of stainless steel metal parts and elastic rubber elements mounted in order to achieve a friction damping with low Q factor (<3)  
The mounting is advisable in compression loading  
Their construction is fail-safe  
Approximate weight of damper : 110 grams



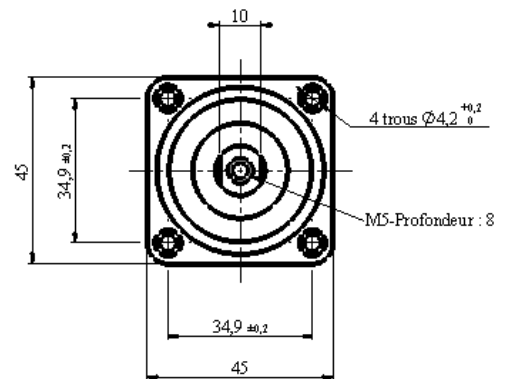
## Applications

These isolators are suitable for insulation of sensitive equipment on carrier or at fixed stations, with a good isolation at 15 Hz under high dynamic input

## Codification

It exist 3 different load ranges for this kind of dampers  
The reference to be indicated :  
BTRM-41S, BTRM-41N or BTRM-41R  
[S,N,R] corresponding to the index of load range

***Particular achievements with specific load range can be proposed, for any request, consult our engineering departments***



## Characteristics

The vibrations levels can reach  $\pm 1.5\text{mm}$  and this for resonance frequencies from 8 Hz  
The axial to radial frequency factor is about 0.8  
The operative temperature range is from  $-55^{\circ}\text{C}$  to  $+150^{\circ}\text{C}$

The load range under  $\pm 1.5\text{ mm}$  are :

	BTRM-41S	BTRM-41N	BTRM-41R
	2.5 – 5.0 Kg	4.0 – 7.0 Kg	6.0 - 10 Kg
For resonance frequencies	13-8 Hz	13-8 Hz	13-8 Hz