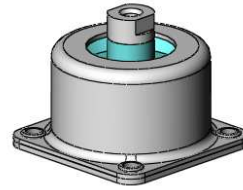


BTRM-61 Series

Construction

The BTRM-61 series dampers are made of stainless steel metal parts and elastic rubber elements mounted in order to achieve a friction damping with low Q factor (<3)
The mounting is advisable in compression loading
Their construction is fail-safe



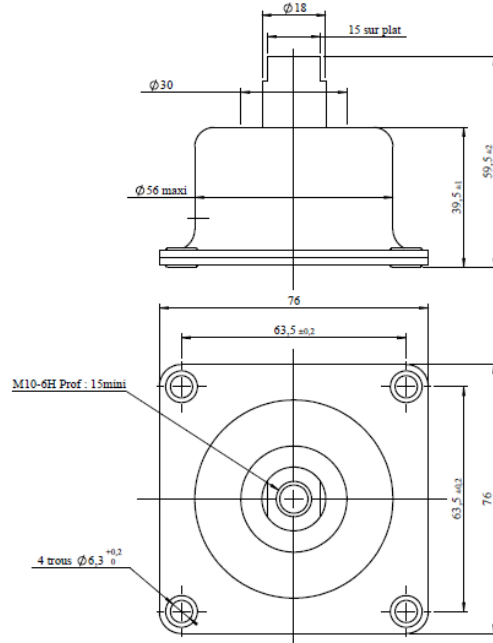
Applications

These isolators are suitable for insulation of sensitive equipment on carrier or at fixed stations, with a good isolation at 12 Hz under high dynamic input

Codification

It exist 3 different load ranges for this kind of dampers
The reference to be indicated is as:
BTRM-61S, BTRM-61N or BTRM-61R
[S,N,R] corresponding to the index of load range

Particular achievements with specific load range can be proposed, for any request, consult our engineering departments



Characteristics

The vibrations levels can reach ± 1.5 mm and this for resonance frequencies less than 10 Hz
The axial to radial frequency factor is about 0.8
The operative temperature range is from -55°C to $+150^{\circ}\text{C}$

The load range under ± 1.5 mm are:

	BTRM-61S	BTRM-61N	BTRM-61R
	14.0 – 20.0 Kg	20.0- 30.0 Kg	30.0 – 40.0 Kg
For resonance frequencies	9 – 13 Hz	9 – 13 Hz	9 – 13 Hz