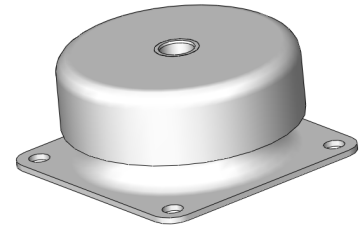


C1010-HDS



Construction

This specific execution is with metal parts in zinc plated and passivated steel.

The P/N and code-date are indicated on an affixed label

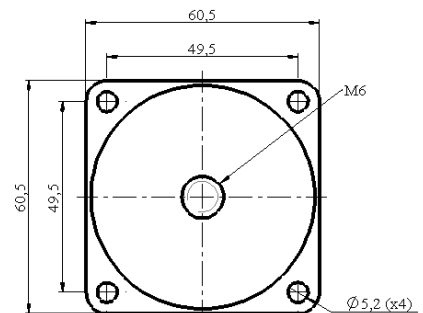
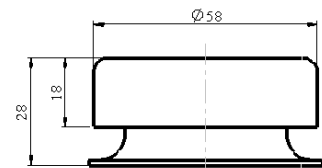
The elastic components made in high damped silicone rubber with high mechanical properties and very good resistance to Oil, Ozone Sunlight aging and Heat aging and low creeping under static load

The construction is fail-safe

Approximate weight of damper : 225 grams

Applications

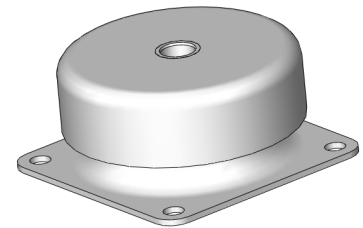
Insulation of equipment like Electronic Monitoring Unit, Climatization, Pumps, Motors, Machinery, mounted on carrier or on fixed stations, with a good protection against severe shock and with efficient vibration damping in a large field of activity (Aeronautical-Railway-Road)



Codification

Codification of item: C1010-M8-HDS : Standard metric tapped hole M8
 Codification of item: C1010-M6-HDS : Standard metric tapped hole M6
 Codification of item: C1010-UNF-HDS : Specific 1/4-28UNF-2B tapped hole

C1010-HDS



Characteristics

Input vibration level can reach $\pm 0,6\text{mm}$ for resonance frequency from 15Hz

The amplification at resonance is lower than 4 (lower than 3.5 in most of cases)

Same behaviour in all directions

All attitude mount

Operative temperature range from -55°C to $+150^{\circ}\text{C}$ for execution in high damped silicone

Storage 10 Years in normal conditions (NF-L-17-103) for Items in Silicon rubber

Load range under +/- 0,4mm

