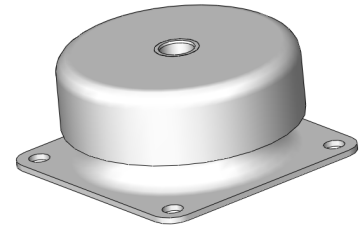


# C2000-I-M12



## Construction

This specific execution is with metal parts in stainless steel 304.

The P/N and code-date are engraved on box by laser tag

The elastic components made in rubber with high mechanical properties and very good resistance to Oil, Ozone Sunlight aging and Heat aging and low creeping under static load

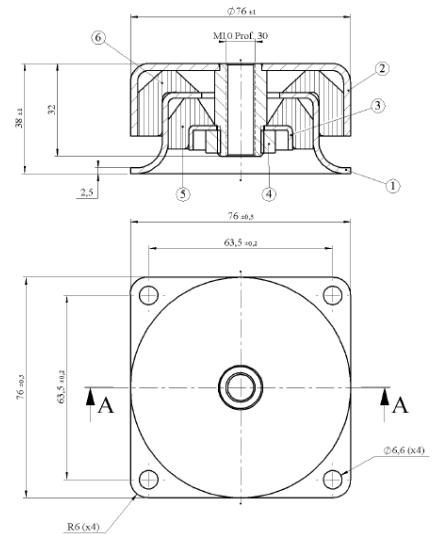
This serial is also available in high damped silicone (HDS)

The construction is fail-safe

Approximate weight of damper : 450 grams

## Applications

Insulation of railroad equipment, pumps, motors, machinery, mounted on carrier or on fixed stations, with a good protection against severe shock and with efficient vibration damping from 40 Hz



## Codification

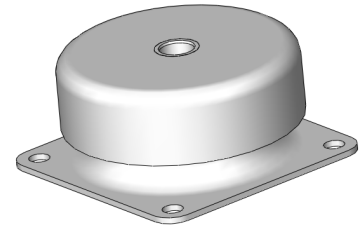
6 Load indexes for the size C2000, with standard treaded hole in M10 possible in M12

Example : C 2040-I-M10, means Isolator with max. load 60Kg in chloroprene rubber and "I" means metal parts in stainless steel

The suffix HDS at the end of P/N means in high damped silicone instead of chloroprene

Example : C 2040-I-M10-HDS : Stainless Steel – Max load 60 Kg – Tap M10 –Silicone rubber

# C2000-I-M12



## Characteristics

Input vibration level can reach  $\pm 0,6\text{mm}$  for isolators size C 2000 and for resonance frequency from 15Hz

Same behaviour in all directions

All attitude mount

Operative temperature range from  $-30^{\circ}\text{C}$  to  $+80^{\circ}\text{C}$  in standard range in chloroprene

And from  $-55^{\circ}\text{C}$  to  $+150^{\circ}\text{C}$  for execution in high damped silicone

Storage 8 Years in normal conditions (NF-L-17-103) for standard item and

10 Years in normal conditions (NF-L-17-103) for Items in Silicon rubber

**Load range under  $\pm 0,4\text{mm}$**

