

SES 4 Series

Construction

The SES 4 series dampers are made of elastic components mounted in opposite in order to allow an all attitude working possibility, with almost the same behaviour in all positions

This will also allow to accept high dynamic input levels at resonance and reach a amplification factor lower than 4 ($Q_{max} < 7$)

Their construction is fail-safe

Approximate weight of damper: 80 grams

Applications

This dampers are suitable for realisation of insulation of materials mounted on board are on fixed stations, with very good vibration shock isolation

Codification

The reference to be indicated for these dampers is:

SES 4A-[x] or SES 4H-[x]

[x] corresponding to the index of load range

Particular achievements with specific load range can be proposed, for any request, consult our engineering departments

Nato codification:

SES4-A2 : 5340.14.339.7522

SES4-A3 : 5340.14.452.2744

Characteristics

It is possible to apply the load in all directions

The vibrations levels can reach $\pm 1 \text{ mm}$ and this for resonance frequencies from 15 Hz

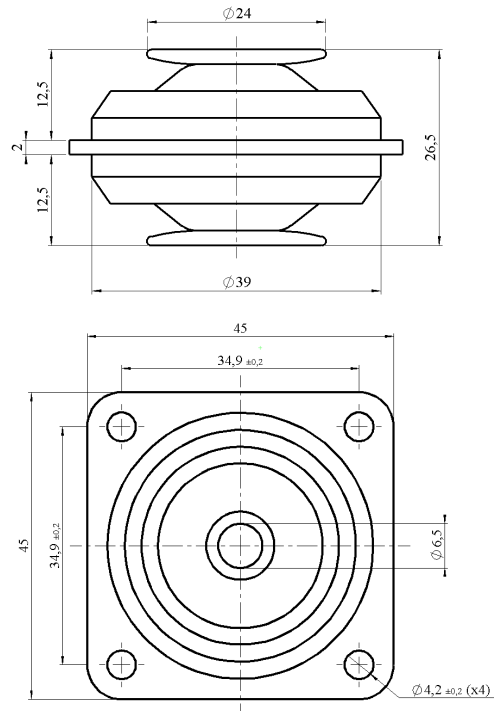
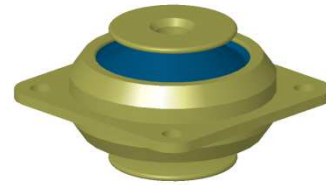
The axial to radial frequency factor is 1,15

The operative temperature range is from -55°C to $+150^\circ\text{C}$

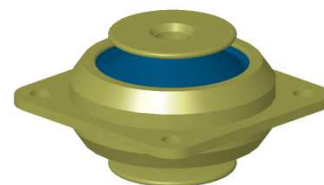
The maximum loads are :

SES 4A-1	SES 4A-2	SES 4A-3	SES 4A-4
4,5 kg	6,0 kg	8,2 kg	11,5 kg

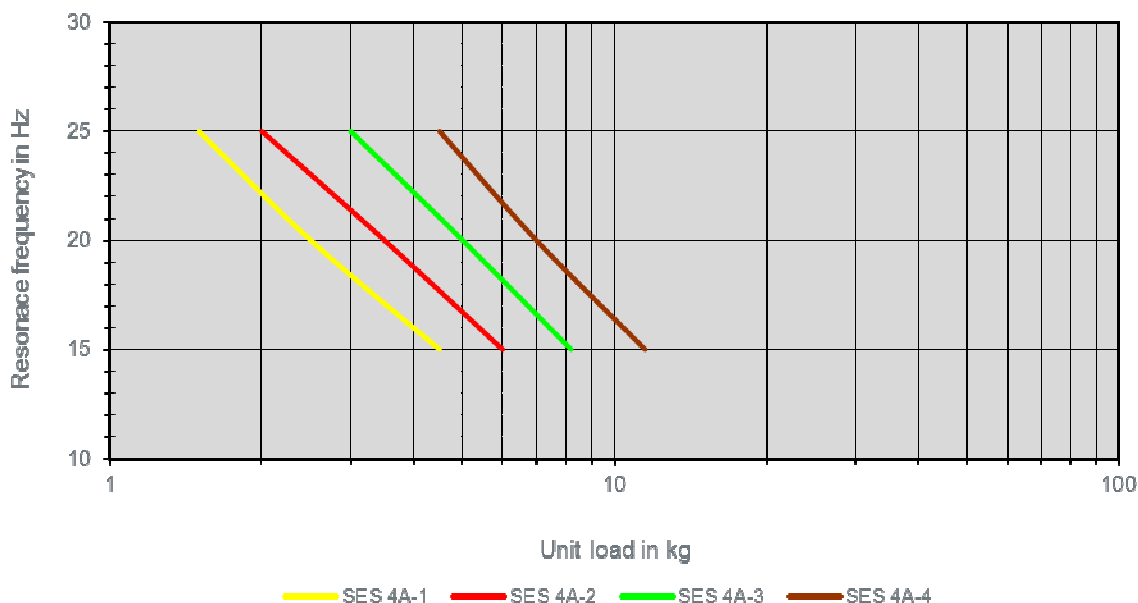
The Shelf life is of 10 Years in normal conditions (NF-L-17-103)



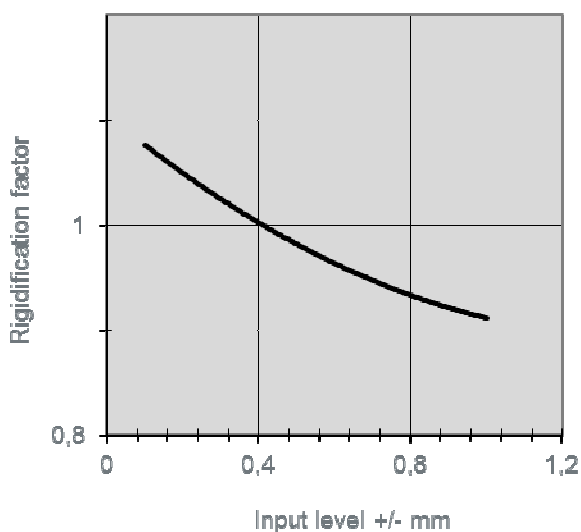
SES 4 Series



Load range under +/- 0,4 mm



Typical dynamic rigidification behaviour



Installation principle

