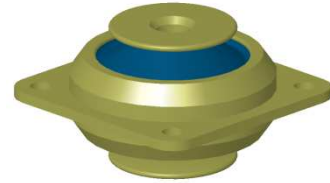


SES 5 Series



Construction

The SES 5 series dampers are made of elastic components mounted in opposite in order to allow an all attitude working possibility, with almost the same behaviour in all positions

This will also allow to accept high dynamic input levels at resonance and reach a amplification factor lower than 4 ($Q_{max} < 6$)

Their construction is fail-safe

Approximate weight of damper: 90 grams

Applications

This dampers are suitable for realisation of insulation of materials mounted on board are on fixed stations, with very good vibration shock isolation

Their low frequency behaviour allows to specify them for helicopter application

Codification

The reference to be indicated for these dampers is:

SES 5A-[x] or SES 5H-[x]

[x] corresponding to the index of load range

Particular achievements with specific load range can be proposed, for any request, consult our engineering departments

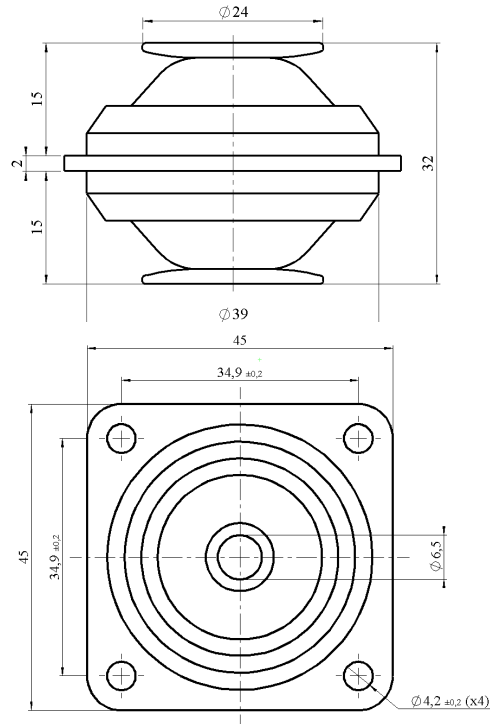
Nato codification:

SES-5A3 : 5340.14.449.1239

SES-5A4 : 5340.14.472.5836

SES-5A5 : 5340.14.449.1240

SES-5A6 : 5340.14.472.5837



SES-5H2 : 5340.14.406.2522

SES-5H3 : 5340.14.444.5988

SES-5H4 : 5340.14.516.0524

SES-5H5 : 5340.14.514.373

Characteristics

It is possible to apply the load in all directions

The vibrations levels can reach $\pm 1 \text{ mm}$ and this for resonance frequencies from 10 Hz

The axial to radial frequency factor is 0,95

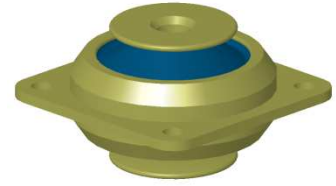
The operative temperature range is from -55°C to $+150^\circ\text{C}$

The maximum loads are :

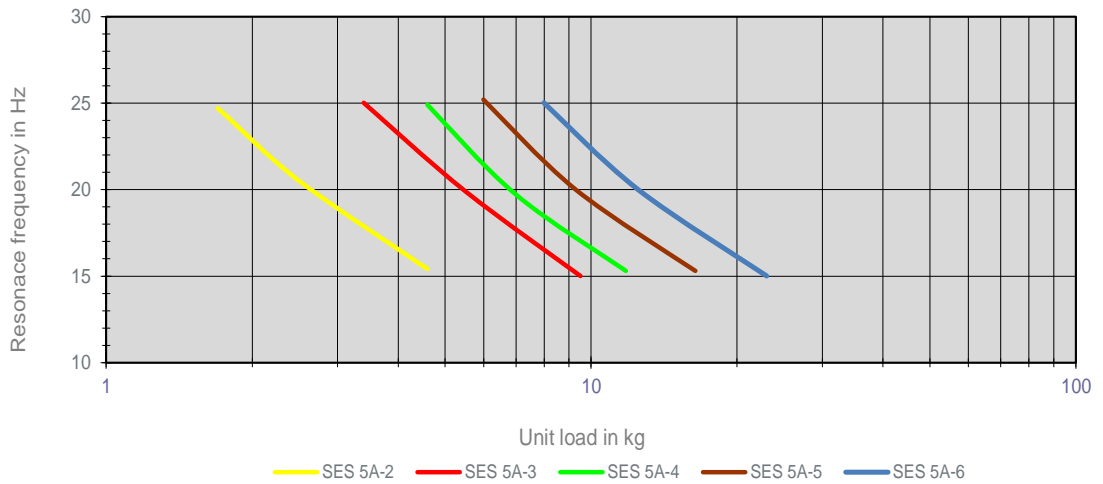
SES 5A-2	SES 5A-3	SES 5A-4	SES 5A-5	SES 5A-6
4,6 kg	9,5 kg	12,0 kg	17,0 kg	23,0 kg

The Shelf life is of 10 Years in normal conditions (NF-L-17-103)

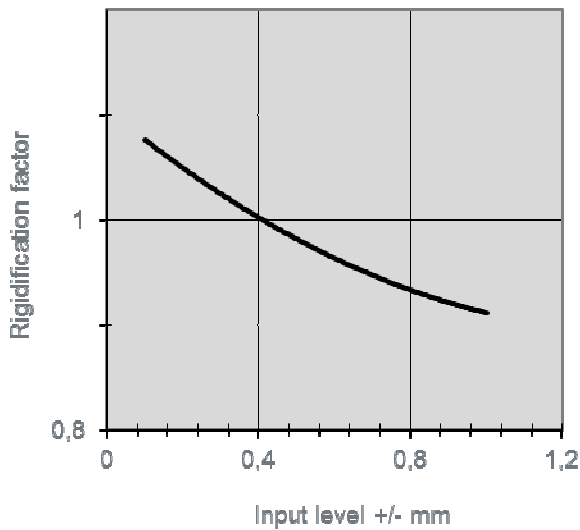
SES 5 Series



Load range under +/- 0,4 mm



Typical dynamic rigidification behaviour



Installation principle

